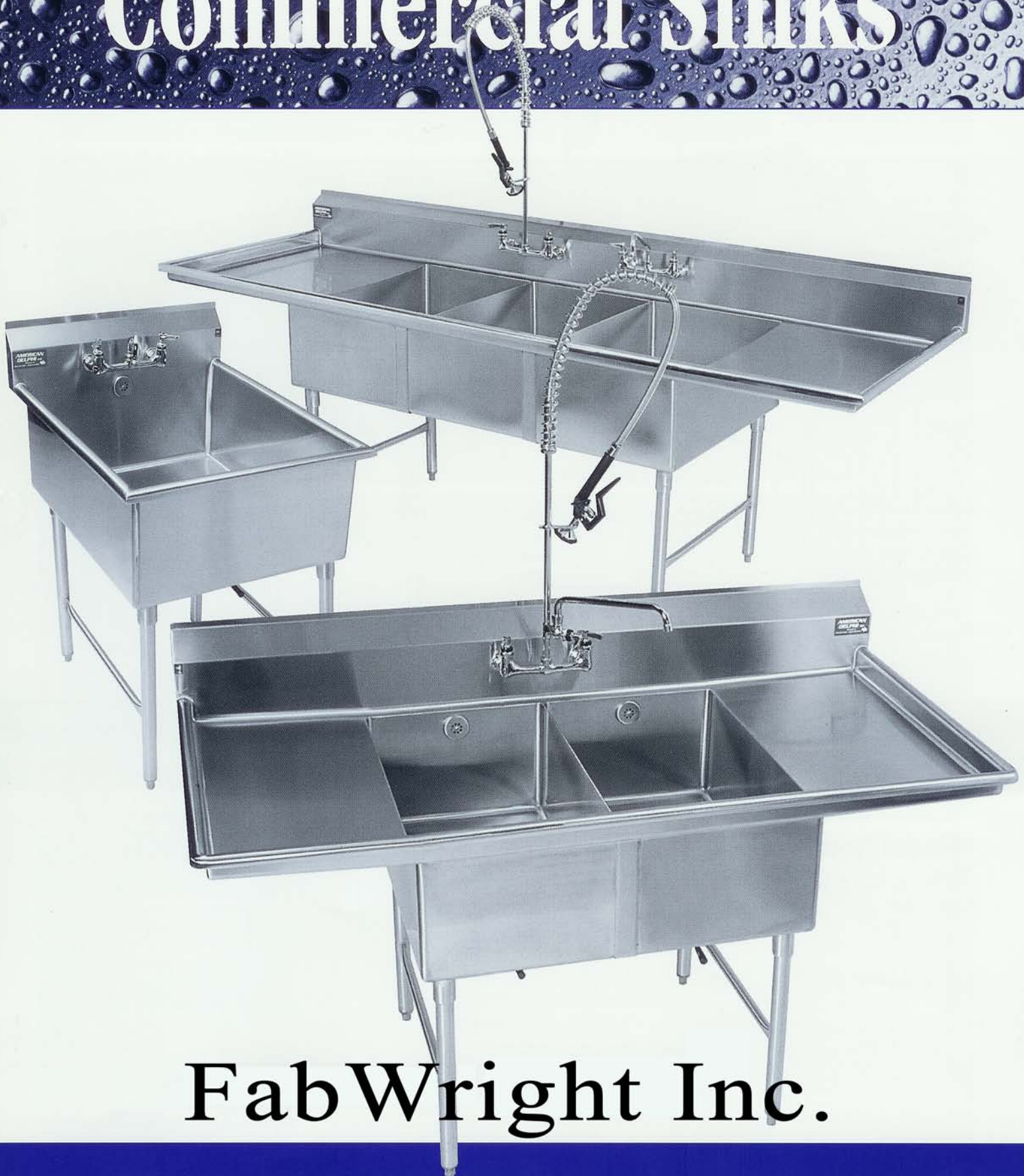


# Stainless Steel Commercial Sinks



**Fab Wright Inc.**

# Commercial Sinks for Any Application

**F**abWright's commercial sinks are manufactured of 16 gauge, type 304 #4 stainless steel and meet or exceed NSF standards. Each sink is hand fabricated and welded, rather than drawn, to ensure the integrity of the steel. This insures that FabWright inc. sinks are capable of maintaining their original surface characteristics under prolonged contact with the intended use environment. Custom sinks are available to meet specific design and individual requirements. At FabWright inc. we provide on-time delivery and satisfaction... **GUARANTEED!**



Coved corners

Integrally welded drainboard available on right, left or dual. Sloped toward sink compartment bowl to allow drainage.

Front and ends are 3" high with 1 1/2" rolled edge.

Sinks are punched with one set of faucet holes 8" on center and centered in backsplash (4-compartment sinks have 2 sets of holes).

Stainless steel leg sockets welded to sink. Easily cleanable and designed to eliminate microscopic organisms.



1" stainless steel tubular cross bracing.

Stainless steel straps prevent build-up of foreign matter between bowls.

Sink bowls have scored impressions for rapid and complete drainage.

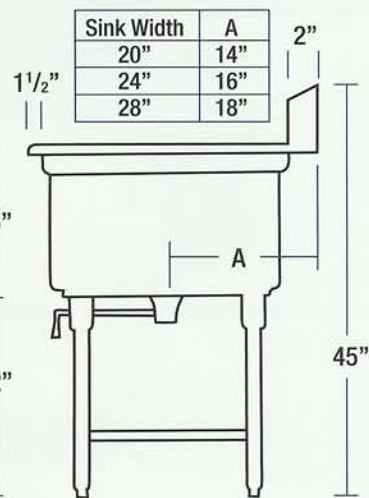
All exposed corners are sealed and have a smooth, highly polished #4 finish.

No-rust legs are made of 1 5/8" stainless steel tubing with vermin-proof adjustable bullet feet.

## Model Number Explanation

Example: AD4-2-32-36R

AD 4- 2- 32- 36 R (or L or RL)



Submittal sheets are available on individual units, contact your FabWright Inc. Representative.

Model #	Overall Length	Overall Width	Bowl Size	Number of Compartments	Drainboard Size	Number of Drainboards
---------	----------------	---------------	-----------	------------------------	-----------------	-----------------------

### Compartment Sinks without Drainboard

AD4-1-16	19"	23.5"	16x20	1	N/A	0
AD6-1-20	23"	31.5"	20x28	1	N/A	0
AD8-1-24	27"	27.5"	24x24	1	N/A	0
AD4-2-32	36.5"	25"	16x20	2	N/A	0
AD6-2-40	44.5"	33"	20x28	2	N/A	0
AD8-2-48	52.5"	29"	24x24	2	N/A	0
AD4-3-48	52.5"	25"	16x20	3	N/A	0
AD6-3-60	64.5"	33"	20x28	3	N/A	0
AD8-3-72	76.5"	29"	24x24	3	N/A	0

### One-Compartment Sinks with Drainboard

AD4-1-16-18 R or L	36.5"	25"	16x20	1	18"	1
AD4-1-16-24 R or L	42.5"	25"	16x20	1	24"	1
AD4-1-16-36 R or L	54.5"	25"	16x20	1	36"	1
AD4-1-16-18 RL	52"	25"	16x20	1	18"	2
AD4-1-16-24 RL	64"	25"	16x20	1	24"	2
AD4-1-16-36 RL	88"	25"	16x20	1	36"	2
AD6-1-20-20 R or L	42.5"	33"	20x28	1	20"	1
AD6-1-20-36 R or L	58.5"	33"	20x28	1	36"	1
AD6-1-20-20 RL	60"	33"	20x28	1	20"	2
AD6-1-20-36 RL	92"	33"	20x28	1	36"	2
AD8-1-24-24 R or L	50.5"	29"	24x24	1	24"	1
AD8-1-24-36 R or L	62.5"	29"	24x24	1	36"	1
AD8-1-24-24 RL	72"	29"	24x24	1	24"	2
AD8-1-24-36 RL	96"	29"	24x24	1	36"	2

### Two-Compartment Sinks with Drainboard

AD4-2-32-18 R or L	52.5"	25"	16x20	2	18"	1
AD4-2-32-24 R or L	58.5"	25"	16x20	2	24"	1
AD4-2-32-36 R or L	70.5"	25"	16x20	2	36"	1
AD4-2-32-18 RL	68"	25"	16x20	2	18"	2
AD4-2-32-24 RL	80"	25"	16x20	2	24"	2
AD4-2-32-36 RL	104"	25"	16x20	2	36"	2
AD6-2-40-20 R or L	62.5"	33"	20x28	2	20"	1
AD6-2-40-36 R or L	78.5"	33"	20x28	2	36"	1
AD6-2-40-20 RL	80"	33"	20x28	2	20"	2
AD6-2-40-36 RL	112"	33"	20x28	2	36"	2
AD8-2-48-24 R or L	74.5"	29"	24x24	2	24"	1
AD8-2-48-36 R or L	86.5"	29"	24x24	2	36"	1
AD8-2-48-24 RL	96"	29"	24x24	2	24"	2
AD8-2-48-36 RL	120"	29"	24x24	2	36"	2

### Three-Compartment Sinks with Drainboard

AD4-3-48-18 R or L	68.5"	25"	16x20	3	18"	1
AD4-3-48-24 R or L	74.5"	25"	16x20	3	24"	1
AD4-3-48-36 R or L	86.5"	25"	16x20	3	36"	1
AD4-3-48-18 RL	84"	25"	16x20	3	18"	2
AD4-3-48-24 RL	96"	25"	16x20	3	24"	2
AD4-3-48-36 RL	120"	25"	16x20	3	36"	2
AD6-3-60-20 R or L	82.5"	33"	20x28	3	20"	1
AD6-3-60-36 R or L	98.5"	33"	20x28	3	36"	1
AD6-3-60-20 RL	100"	33"	20x28	3	20"	2
AD6-3-60-36 RL	132"	33"	20x28	3	36"	2
AD8-3-72-24 R or L	98.5"	29"	24x24	3	24"	1
AD8-3-72-36 R or L	110.5"	29"	24x24	3	36"	1
AD8-3-72-24 RL	120"	29"	24x24	3	24"	2
AD8-3-72-36 RL	144"	29"	24x24	3	36"	2

Notes: 1) Custom sink quotations are available on request. 2) Standard sink depth is 12" unless otherwise requested. 3) All measurements subject to manufacturing tolerance of  $\pm 1/2"$ .

# Sink Accessories

## A. Pre-Rinses

- With cold water plumbing
- With hot / cold water plumbing
- With 36" hose
- With 48" hose
- With 60" hose
- Other sizes available on request

## B. Swing Spout Faucets

- With wrist-blade handles
- Without wrist-blade handles
- With 6" swing spout
- With 8" swing spout
- With 10" swing spout
- With 12" swing spout
- With 14" swing spout
- With 16" swing spout
- Other sizes available on request

## C. Service Sink Faucets

- With 2.5" faucet
- With 6.5" faucet

## D. Gooseneck Faucets

- With wrist-blade handles
- Without wrist-blade handles
- With 3.5" faucet
- With 6" faucet
- With 8" faucet

## E. Add-On Faucets

- With 6" swing spout
- With 12" swing spout
- With 14" swing spout
- With double jointed 18" swing spout
- Other sizes available on request

## F. Waste Drains

- Rotary-twist handle drain\*
  - Lever handle waste drain\*
  - Basket drain with strainer
  - Drain stabilizer tab
- \* Crumb cups available on request

## G. Rear-Connected Overflow

*FabWright Inc. has been the manufacturer of stainless steel sinks for over 40 years. We are dedicated to providing our customers with the high quality standards they have come to respect and expect from FabWright Inc.*



## **FabWright**

13912 Enterprise Drive - Garden Grove, CA 92843

Ph: (714)554-5544 or (800)854-6464 Fx: (714)554-5545