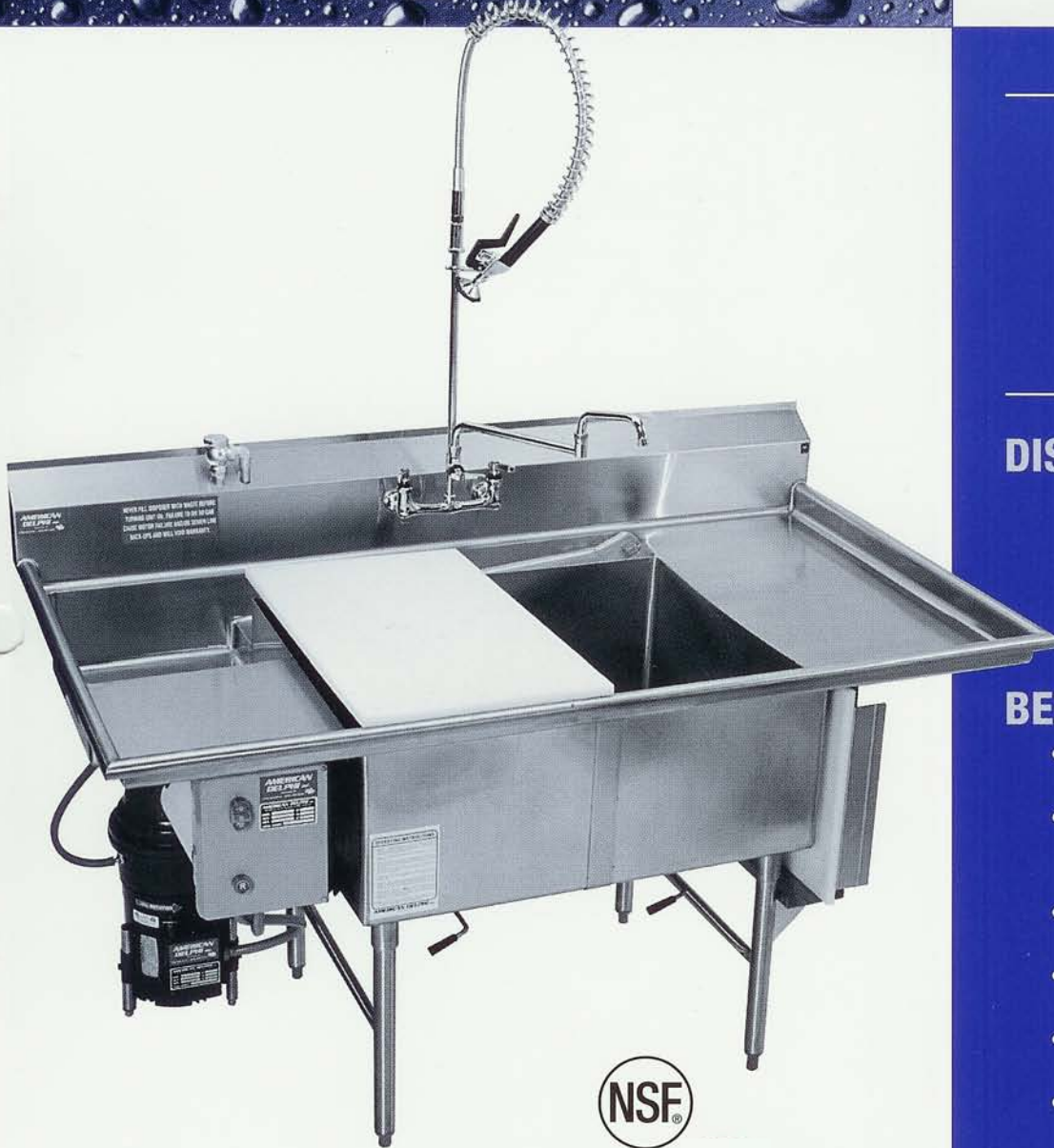


Trimwaste Disposal

FabWright's Total Waste Disposal System



**Fast, Clean,
Safe and
Efficient!**

DISPOSE OF...

- Artichoke, cabbage, lettuce leaves
- Cauliflower butts
- Fruit rinds and pits
- Fish bones, heads and skin
- All difficult waste products

BENEFITS

- Total package: One manufacturer, one order, one warranty
- Fast and easy installation. Completely factory plumbed, assembled, wired and tested
- The fastest, easiest and simplest system to service in the industry
- All waste odors eliminated for a clean, sanitary operation
- No smelly fish and produce waste standing in containers
- Trouble free operation – exclusive FabWright inc. disposer has only one moving part
- Fewer sewer problems – exclusive “after flush” action guarantees flow of waste through sewer line after system shut off
- Highest product safety standards
- On-time delivery, satisfaction guaranteed!
- Serving the industry since 1956

Model 500-W Trimwaste Disposal System

Shown with optional Adapta Faucet

This multi-purpose system meets 2-tub sink and prep requirements and provides maximum productivity by one or two operators. The unit features poly cutting boards for fish or vegetable preparation and wash-down trough to disposer for quick and easy disposal of waste. The System is available with a 1.5 HP through 10 HP heavy duty FabWright inc. disposer in either 1 or 3-phase. The unit comes completely pre-plumbed, pre-wired, pre-assembled and pre-tested for fast and easy installation.

FabWright

13912 Enterprise Drive - Garden Grove, CA 92843
Ph: (714)554-5544 or (800)854-6464 Fx: (714)554-5545

500-W Trimwaste Disposal System

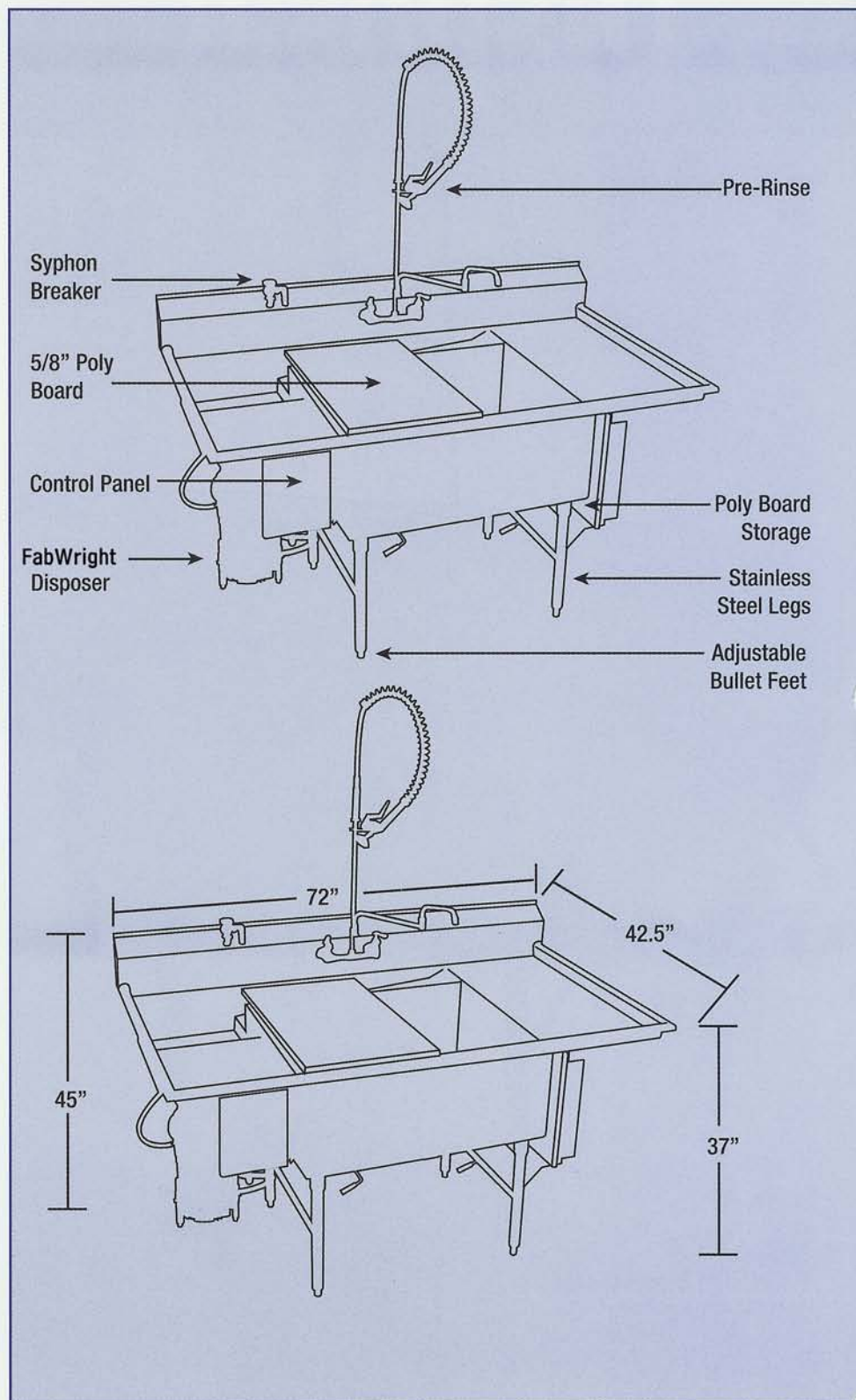
SYSTEM INCLUDES

- Model 5006 heavy-duty, 5HP, 1725 RPM, 3-phase, 50/60Hz, 208/230/460 volts, 17.8 / 15.2 / 7.6 amps (recommended waterflow: 7 GPM) **FabWright inc.** disposer with second water "after flush" and pre-wired with energy saving motor
- Includes solenoid valve, syphon breaker and de-jamming wrench
- NEMA 4 approved pre-wired control panel including magnetic starter, forward/off/reverse push buttons spring loaded with overload protection and operator de-jamming feature. Time delay relay for exclusive "after flush" action pre-set at 180 seconds
- "All weld" construction used on table with 16-gauge stainless steel, 304 #4 grade finish
- Stainless steel legs with adjustable bullet feet
- Stainless steel side and rear cross bracing
- Two removable poly cutting boards
- Poly cutting board storage rack
- Pre-rinse with wall mount bracket
- Pre-plumbed with 3/4" copper tubing for hot and cold water
- Two rotary twist handle drains
- Safety splash guard over disposer opening
- Waterflow inlet in wash-down trough

OPTIONAL EQUIPMENT

- Additional pre-rinse and/or faucet, pre-plumbed for cold or hot & cold water
- 10', 20', 30', 35', or 50' Retractable hose reels
- Magnetic knife holder
- Disposer safety cover
- Waterflow regulator - *save water costs!*
- Alternate **FabWright inc.** disposers:
 - Model 1506, 1.5 HP
 - Model 2006, 2 HP
 - Model 3006, 3 HP
 - Model 5126, 5 HP*
 - Model 7506, 7.5 HP*
 - Model 10006, 10 HP*
- Single or three-phase available on all **FabWright inc.** disposers

**Large-frame, heavy-duty disposer with 12-inch opening for extra high volume and/or large-size waste. Complete with off-set chute assembly*



FabWright

13912 Enterprise Drive - Garden Grove, CA 92843

Ph: (714)554-5544 or (800)854-6464 Fx: (714)554-5545