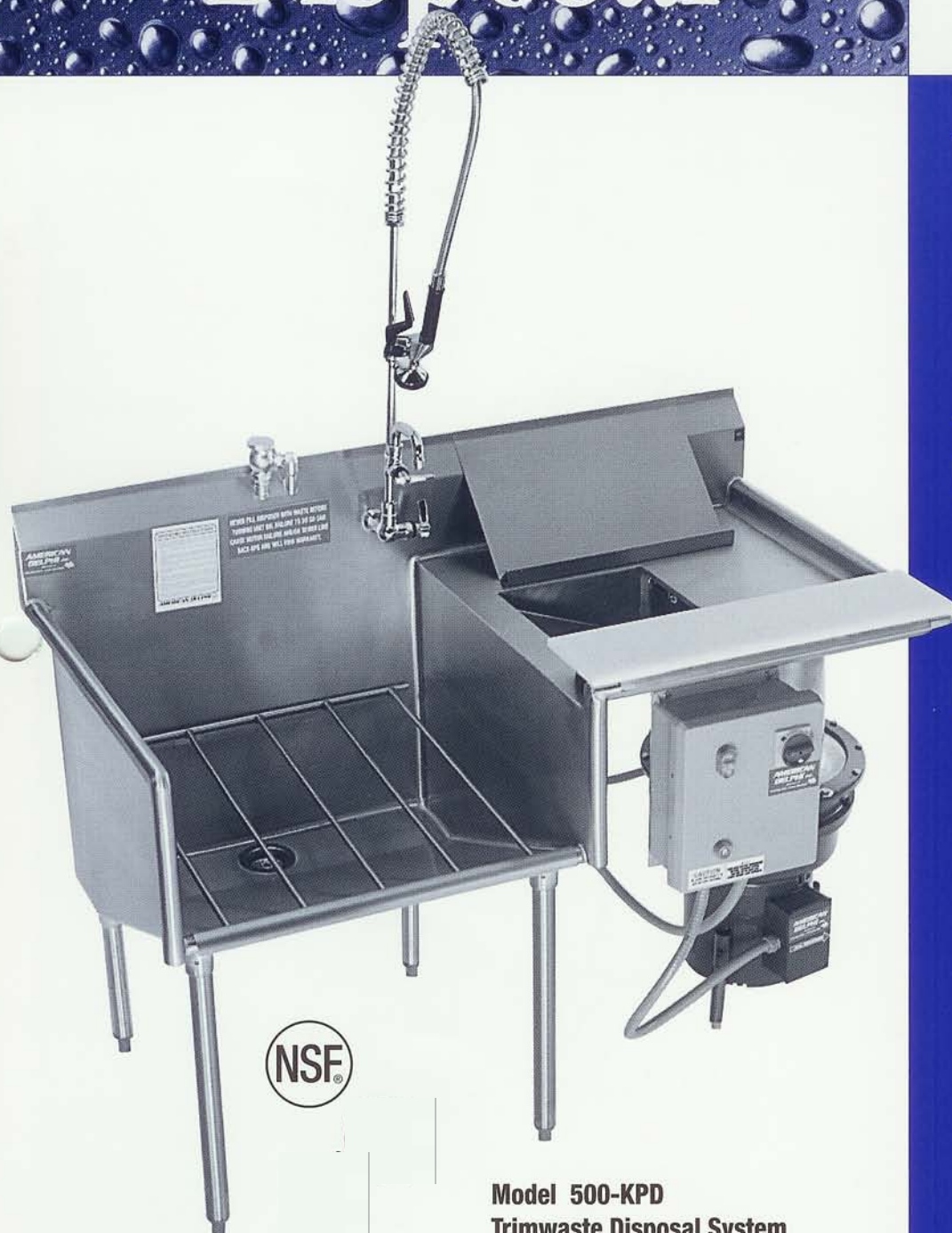


Trimwaste Disposal

Designed and engineered as a Total Waste Disposal System



**Model 500-KPD
Trimwaste Disposal System**

Cut and trim product right from its shipping crate. This unit features a table top, poly cutting board, sink compartment with crate rack, and table top crate rack along with a heavy duty FabWright inc. food waste disposer. This space-saving, stand alone system can be installed individually or next to an existing sink to provide economical and efficient disposal of waste. The unit comes completely pre-plumbed, pre-wired, pre-assembled and pre-tested for fast and easy installation.

**Fast, Clean,
Safe and
Efficient!**

DISPOSE OF...

- Artichoke, cabbage, lettuce leaves
- Cauliflower butts
- Fruit rinds and pits
- Fish bones, heads and skin
- All difficult waste products

BENEFITS

- Total package: One manufacturer, one order, one warranty
- Fast and easy installation. Completely factory plumbed, assembled, wired and tested
- The fastest, easiest and simplest system to service in the industry
- All waste odors eliminated for a clean, sanitary operation
- No smelly fish and produce waste standing in containers
- Trouble free operation – exclusive FabWright inc. disposer has only one moving part
- Fewer sewer problems – exclusive “after flush” action guarantees flow of waste through sewer line after system shut off
- Highest product safety standards
- On-time delivery, satisfaction guaranteed!
- Serving the industry since 1956

FabWright

13912 Enterprise Drive - Garden Grove, CA 92843
Ph: (714)554-5544 or (800)854-6464 Fx: (714)554-5545

500-KPD Trimwaste Disposal System

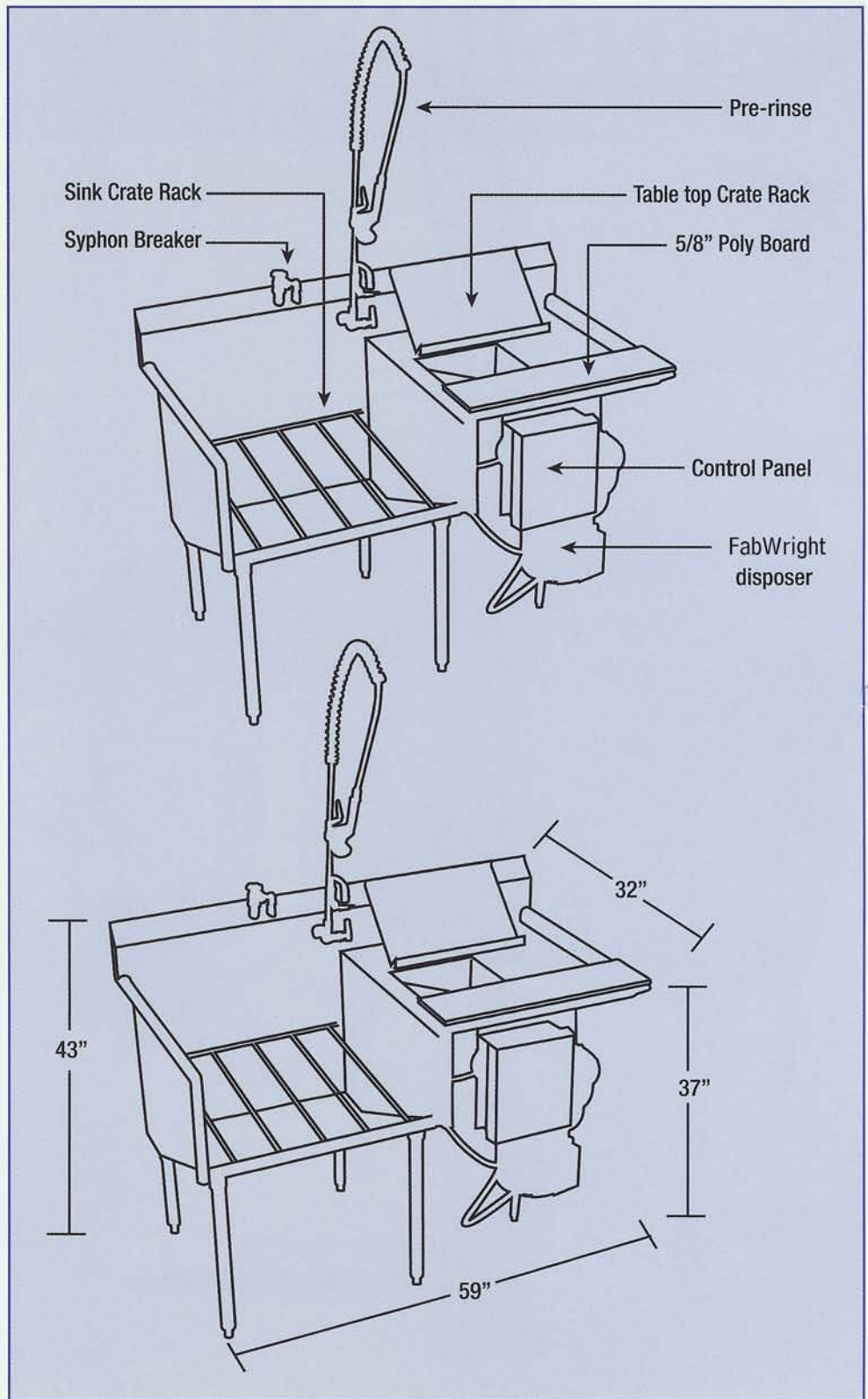
SYSTEM INCLUDES

- Model 51212 heavy-duty, 5HP, 1140 RPM, 3-phase, 50/60Hz, 208/230/460 volts, 17.0/16.0/8.0 amps (recommended waterflow: 7 GPM) FabWright inc. disposer with second water "after flush" and pre-wired with energy saving motor
- Includes solenoid valve, syphon breaker and de-jamming wrench
- NEMA 4 approved, pre-wired control panel including magnetic starter, forward/off/reverse push buttons spring loaded with overload protection and operator de-jamming feature. Time delay relay for exclusive "after flush" action pre-set at 180 seconds
- "All weld" construction used on table with 16-gauge stainless steel, 304 #4 grade finish
- Stainless steel legs with adjustable bullet feet
- Table top and sink crate racks
- Removable poly cutting board
- Pre-rinse with wall mount bracket and 6" adapta faucet
- Pre-plumbed with 3/4" copper tubing for cold water
- Basket drain
- Stainless steel offset safety chute with safety splash curtain and waterflow inlet

OPTIONAL EQUIPMENT

- Pre-plumbed for hot & cold water
- Alternate pre-rinse and/or faucets
- 10', 20', 30', 35', or 50' Retractable hose reels
- Magnetic knife holder
- Disposer safety cover
- 13" cone for disposer with 6" opening with safety splash guard and waterflow inlet (in lieu of offset chute)
- Waterflow regulator - *save water costs!*
- Alternate FabWright inc. disposers:
 - Model 1506, 1.5 HP
 - Model 2006, 2 HP
 - Model 3006, 3 HP
 - Model 5006, 5 HP
 - Model 5126, 5 HP*
 - Model 7506, 7.5 HP*
 - Model 75012, 7.5 HP*
 - Model 10006, 10 HP*
 - Model 10012, 10 HP*
- Single or three-phase available on all FabWright inc. disposers

**Large-frame, heavy-duty disposer for extra high volume and/or large-size waste*



FabWright

13912 Enterprise Drive - Garden Grove, CA 92843

Ph: (714)554-5544 or (800)854-6464 Fx: (714)554-5545