

FabWright Inc.

Commercial Disposers

1 1/2 HP Medium Frame

APPLICATION

Hotels and hospitals, medium to large-size restaurants and cafeterias, steak and seafood restaurants and supermarkets where volume is moderate to heavy.

Seating capacity:	150
Meals per day:	890
Solid waste per hour:	800 lbs.

SPECIFICATIONS

Model #1506-1P or Model #1506-3P with 6" opening; continuous feed 1 1/2 HP dual voltage motor in SINGLE phase 115/230 volts, 1725 RPM, 60 Hz., 19.0/9.5 amps. and THREE phase 208/230/460 volts 1725 rpm, 60 Hz., 3.6/3.4/1.7 amps; 3.5 GPM; 100 lbs. shipping weight; manual reset overload protection in motor; permanently lubricated ball bearings.

RECOMMENDED ACCESSORIES

- Minimum 1/2" Solenoid valve
- Minimum 1/2" Syphon breaker
- Sink adaptor
- Dejamming wrench
- Model 620-SN NEMA 4 approved Control Panel

See price list for additional accessories.
Available in 50 Hz.



Exclusive 1/2" second water inlet provides "after flush" of grinding chamber

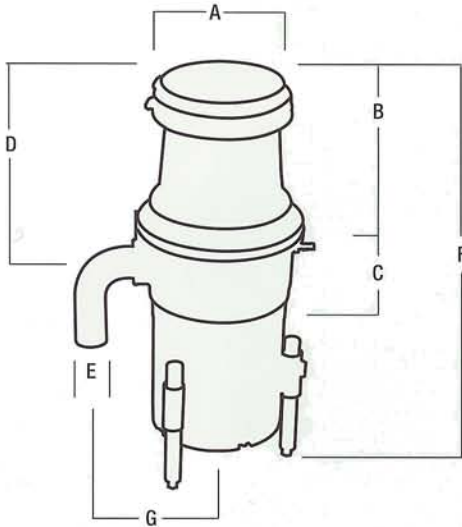
WARRANTED FOR 1 YEAR PARTS AND ON-SITE SERVICE

Commercial Food Waste Disposers

Model #1506 - 1P Model #1506 - 3P

A NOTE TO SPECIFIERS: That you may be assured of receiving the high quality you expect when you specify a commercial food waste disposer, we include the following sample specification for your convenience.

"Food waste disposer shall be a FabWright Inc. Model #1506-1P, 1 1/2 HP, 115/230 volts, single phase, 60 Hz"
 or "Model #1506-3P, 1 1/2 HP, 208/230/460 volts, three phase, 60 Hz."



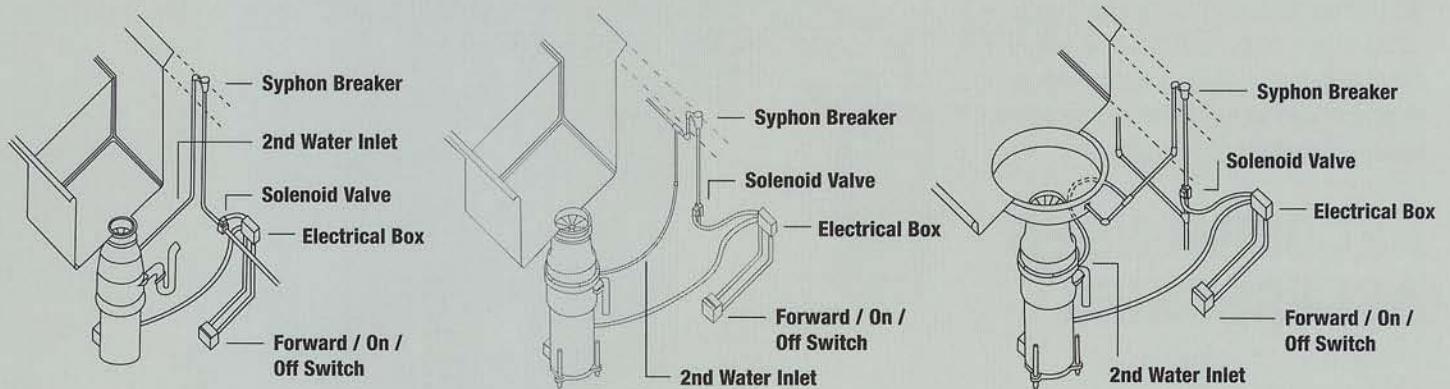
Model # 1506-1P / 3P

Specifications

Model #	1506-1P		1506-3P	
A	6"	152.4mm	6"	152.4mm
B	8 1/4"	209.6mm	8 1/4"	209.6mm
C	4"	101.6mm	4"	101.6mm
D	10 1/2"	266.7mm	10 1/2"	266.7mm
E	2"	50.8mm	2"	50.8mm
F	24 3/4"	628.7mm	24 3/4"	628.7mm
G	8 1/8"	206.4mm	8 1/8"	206.4mm

Specifications subject to change without notice. Unit should be installed in accordance with local codes and FabWright Inc.'s printed installation instructions.

Typical Installations



FabWright

13912 Enterprise Drive - Garden Grove, CA 92843

Ph: (714)554-5544 or (800)854-6464 Fx: (714)554-5545