

FabWright Inc.

Commercial Disposers

5 HP
Large Frame

APPLICATION

Large restaurants, hotels and hospitals, university and military food service, supermarkets, meat, fish & food processing plants and prisons (package available) where volume is moderate to heavy.

Seating capacity: 2,670
Meals per day: 3,575
Solid waste per hour: 2,000 lbs.

SPECIFICATIONS

Model #51212-1P or Model #51212-3P with 12" opening; continuous feed 5 HP dual voltage motor in SINGLE phase 208/230 volts, 1140 RPM, 60 Hz., 29.0/30.0 amps., in THREE phase 208/230/460 volts, 1140 RPM, 60 Hz., 18.0/16.0/8.0 amps; 7 GPM; 175 lbs. shipping weight; manual reset overload protection in motor; permanently lubricated ball bearings.

RECOMMENDED ACCESSORIES

- Minimum 1/2" Solenoid valve
- Minimum 1/2" Syphon breaker
- Dejamming wrench
- Model 620-SN NEMA 4 approved Control Panel

See price list for additional accessories.
Available in 50 Hz.



Exclusive 1/2" second water inlet provides "after flush" of grinding chamber

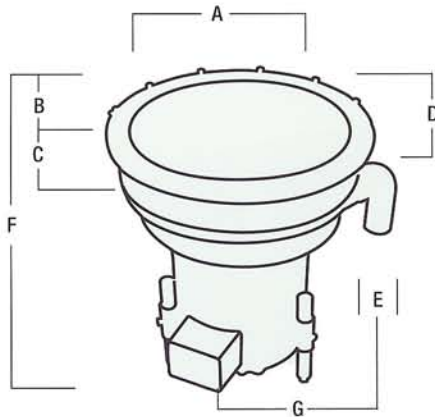
WARRANTED FOR 1 YEAR PARTS AND ON-SITE SERVICE

Commercial Food Waste Disposers

Model #51212-1P Model #51212-3P

A NOTE TO SPECIFIERS: That you may be assured of receiving the high quality you expect when you specify a commercial food waste disposer, we include the following sample specification for your convenience.

"Food waste disposer shall be a FabWright Inc. Model #51212-1P, 5 HP, 208/230 volts, single phase, 60 Hz" *or*
 "Model #51212-3P, 5 HP, 208/230/460 volts, three phase, 60 Hz."

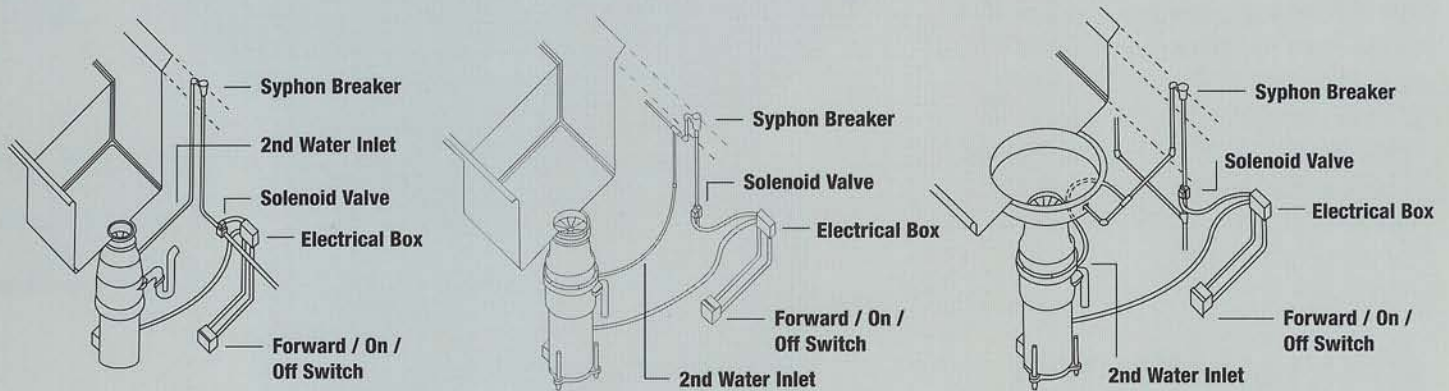


Model # 51212-1P/3P

Specifications				
Model #	51212-1P		51212-3P	
A	11 1/2"	292.1mm	11 1/2"	292.1mm
B	3 1/4"	82.6mm	3 1/4"	82.6mm
C	4 1/4"	108.0mm	4 1/4"	108.0mm
D	5 3/4"	146.1mm	5 3/4"	146.1mm
E	2"	50.8mm	2"	50.8mm
F	23"	584.2mm	20 1/4"	514.4mm
G	10 5/8"	269.9mm	10 5/8"	269.9mm

Specifications subject to change without notice. Unit should be installed in accordance with local codes and FabWright Inc.'s printed installation instructions.

Typical Installations



FabWright

13912 Enterprise Drive - Garden Grove, CA 92843

Ph: (714)554-5544 or (800)854-6464 Fx: (714)554-5545