

FabWright Inc.

Commercial Disposers

5 HP
Large Frame

APPLICATION

Large restaurants, hotels and hospitals, university and military food service, supermarkets, meat, fish & food processing plants and prisons (package available) where volume is moderate to heavy.

Seating capacity: 2,670
Meals per day: 3,575
Solid waste per hour: 2,000 lbs.

SPECIFICATIONS

Model #5126-1P or Model #5126-3P with 6" opening; continuous feed 5 HP dual voltage motor in SINGLE phase 208/230 volts, 1140 RPM, 60 Hz., 29.0/30.0 amps., in THREE phase 208/230/460 volts, 1140 RPM, 60 Hz., 18.0/16.4/8.2 amps; 7 GPM; 175 lbs. shipping weight; manual reset overload protection in motor; permanently lubricated ball bearings.

RECOMMENDED ACCESSORIES

- Minimum 1/2" Solenoid valve
- Minimum 1/2" Syphon breaker
- Dejamming wrench
- Model 620-SN NEMA 4 approved Control Panel

See price list for additional accessories.
Available in 50 Hz.



Exclusive 1/2" second water inlet provides "after flush" of grinding chamber

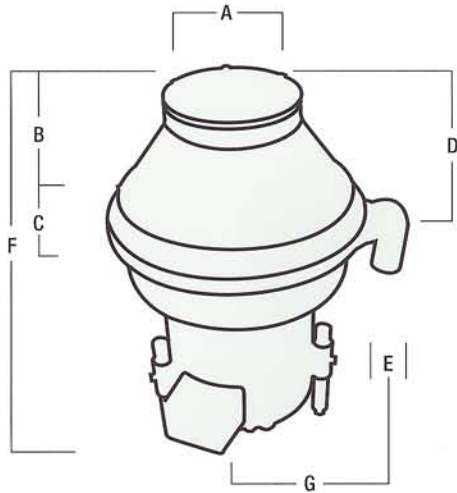
WARRANTED FOR 1 YEAR PARTS AND ON-SITE SERVICE

Commercial Food Waste Disposers

Model #5126-1P Model #5126-3P

A NOTE TO SPECIFIERS: That you may be assured of receiving the high quality you expect when you specify a commercial food waste disposer, we include the following sample specification for your convenience.

"Food waste disposer shall be a FabWright Inc. Model #5126-1P, 5 HP, 208/230 volts, single phase, 60 Hz" *or*
 "Model #5126-3P, 5 HP, 208/230/460 volts, three phase, 60 Hz."



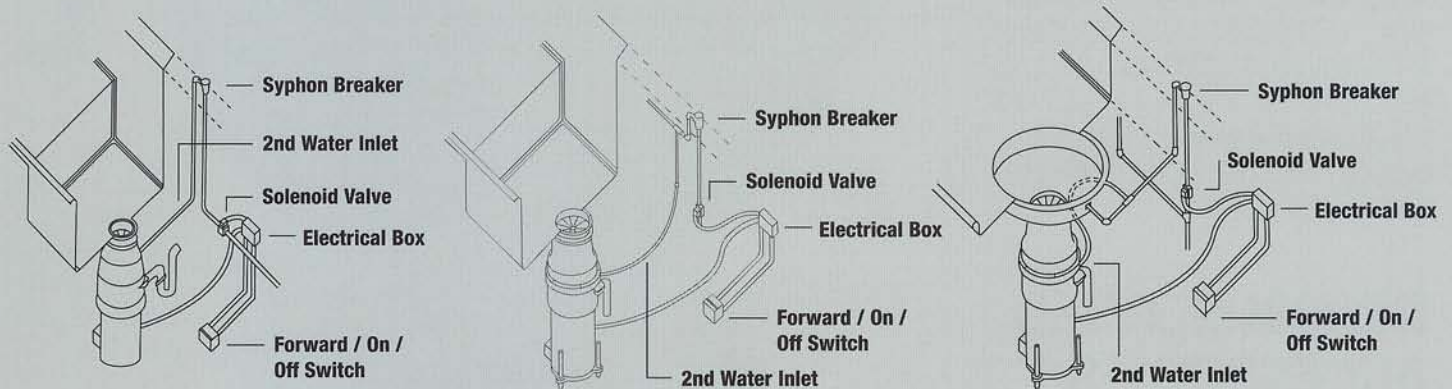
Model # 5126-1P / 3P

Specifications

Model #	5126-1P		5126-3P	
A	6"	152.4mm	6"	152.4mm
B	8"	203.2mm	8"	203.2mm
C	4 1/4"	108.0mm	4 1/4"	108.0mm
D	10 1/2"	266.7mm	10 1/2"	266.7mm
E	2"	50.8mm	2"	50.8mm
F	27 3/4"	704.9mm	22 3/4"	577.9mm
G	10 5/8"	269.9mm	10 5/8"	269.9mm

Specifications subject to change without notice. Unit should be installed in accordance with local codes and FabWright Inc.'s printed installation instructions.

Typical Installations



FabWright

13912 Enterprise Drive - Garden Grove, CA 92843

Ph: (714)554-5544 or (800)854-6464 Fx: (714)554-5545