

FabWright Inc.

Commercial Disposers

10 HP Large Frame

APPLICATION

Large restaurants, hotels and hospitals, university and military food service, supermarkets, meat, fish & food processing plants and prisons (package available) where volume is moderate to heavy.

Seating capacity: 6,130
Meals per day: 7,225
Solid waste per hour: 3,000 lbs.

SPECIFICATIONS

Model #10006-1P or Model #10006-3P with 6" opening; continuous feed 10 HP dual voltage motor in SINGLE phase 208/230 volts, 1725 RPM, 60 Hz., 45.0/41.0 amps., in THREE phase 208/230/460 volts, 1725 RPM, 60 Hz., 28.0/26.0/13.0 amps; 9 GPM; 220 lbs. shipping weight; manual reset overload protection in motor; permanently lubricated ball bearings.

RECOMMENDED ACCESSORIES

- Minimum 1/2" Solenoid valve
- Minimum 1/2" Syphon breaker
- Dejamming wrench
- Model 680-SN NEMA 4 approved Control Panel

See price list for additional accessories.
Available in 50 Hz.



Exclusive 1/2" second water inlet provides "after flush" of grinding chamber

WARRANTED FOR 1 YEAR PARTS AND ON-SITE SERVICE

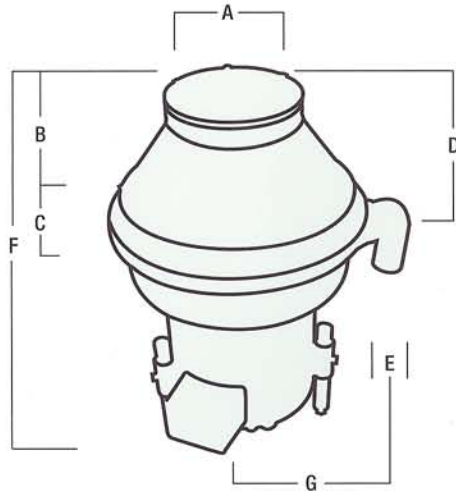
Commercial Food Waste Disposers

Model #10006-1P

Model #10006-3P

A NOTE TO SPECIFIERS: That you may be assured of receiving the high quality you expect when you specify a commercial food waste disposer, we include the following sample specification for your convenience.

"Food waste disposer shall be a FabWright Inc. Model #10006-1P, 10 HP, 208/230 volts, single phase, 60 Hz"
 or "Model #10006-3P, 10 HP, 208/230/460 volts, three phase, 60 Hz."

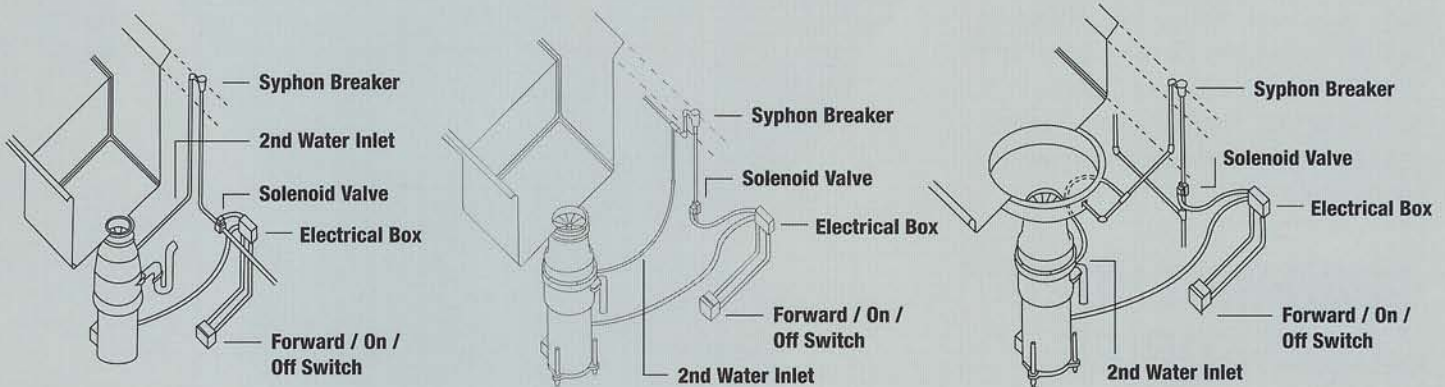


Model # 10006-1P / 3P

Specifications				
Model #	10006-1P		10006-3P	
A	6"	152.4mm	6"	152.4mm
B	8"	203.2mm	8"	203.2mm
C	4 1/4"	108.0mm	4 1/4"	108.0mm
D	10 1/2"	266.7mm	10 1/2"	266.7mm
E	2"	50.8mm	2"	50.8mm
F	30 1/4"	768.4mm	22 3/4"	577.9mm
G	10 5/8"	269.9mm	10 5/8"	269.9mm

Specifications subject to change without notice. Unit should be installed in accordance with local codes and FabWright Inc. printed installation instructions.

Typical Installations



FabWright

13912 Enterprise Drive - Garden Grove, CA 92843

Ph: (714)554-5544 or (800)854-6464 Fx: (714)554-5545