

# Retractable Hose Reels

**T**hese Retractable Hose Reels, built with stainless steel enclosures and heavy-duty hoses to provide many years of service, are the efficient and sanitary solutions for your cold, hot and extra hot water, pre-rinse and clean-up needs.



**Floor-Mounted  
Heavy Duty**



**Wall-Mounted  
Heavy Duty**



**Floor or Wall-Mounted  
Light Duty**

Need a longer-lasting, multi-purpose replacement?

## The Choice Is As Easy As One, Two, Three

### APPLICATIONS

- Food preparation areas, restaurants, cafeterias, produce, meat, and seafood processing plants
- Supermarket produce, meat, seafood, deli and bakery departments
- Pre-rinsing at soiled dishtables
- Clean / freshen produce in supermarket display cases
- Back dock areas
- Garages
- Hospitals
- Excellent for cleaning tables, sinks, floors, etc. in busy work areas

### SPECIFICATIONS

- The 10', 20', 30', 35' or 50' heavy-duty, 3/8" ID hose is spooled onto a spring-loaded reel and enclosed in a heavy-duty, stainless steel shell for durability
- The standard red hose has a temperature rating of 160°F and 250 psi
- All retractable hose reels are equipped with a Tricon spray nozzle (as shown)
- Special plastic covering on lead-in portion extends life of hose and protects operator's hands against burns
- Full one-year, limited warranty on all parts and labor

### OPTIONS

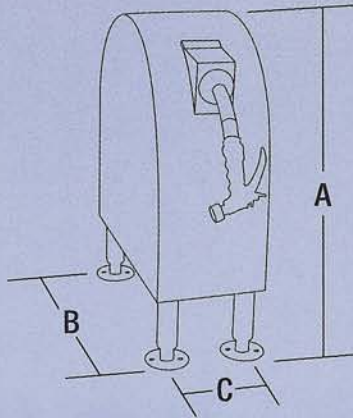
- High-temperature resistant hose (black) for extra hot water applications. 200°F maximum temperature rating and 250 psi

**FabWright**

13912 Enterprise Drive - Garden Grove, CA 92843  
Ph: (714)554-5544 or (800)854-6464 Fx: (714)554-5545

**F**abWright Inc. Retractable Hose Reels may be adapted for use in bio-degradable chemical applications or for air. All units can be floor, wall or, upon special request, ceiling mounted to meet your specific needs. Ceiling mounted units require additional information, please call our technical service personnel. Units can also be mounted on truck beds for mobile use. All mounting brackets are included. Standard 4" high legs on heavy-duty floor model may be adjusted for your needs. All specifications and dimensions are subject to change without notice.

# Retractable Hose Reels

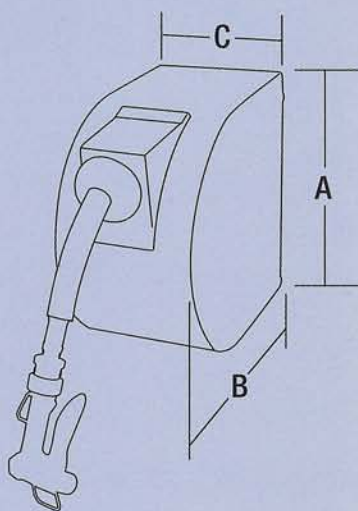
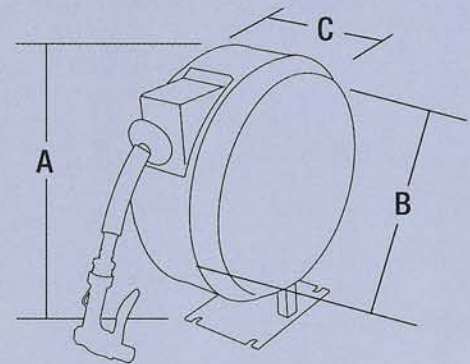


## Floor-Mounted Heavy Duty

	A	B	C
35'	24.75"	21.5"	10"
50'	24.75"	21.5"	10"

## Floor or Wall-Mounted Light Duty

	A	B	C
10'	17"	15.5"	8"
20'	17"	15.5"	8"
30'	17"	15.5"	8"



## Wall-Mounted Heavy Duty

	A	B	C
10'	11.5"	12"	7"
20'	19"	19"	10"
35'	19"	19"	10"
50'	19"	19"	10"

**FabWright**

13912 Enterprise Drive - Garden Grove, CA 92843

Ph: (714)554-5544 or (800)854-6464 Fx: (714)554-5545