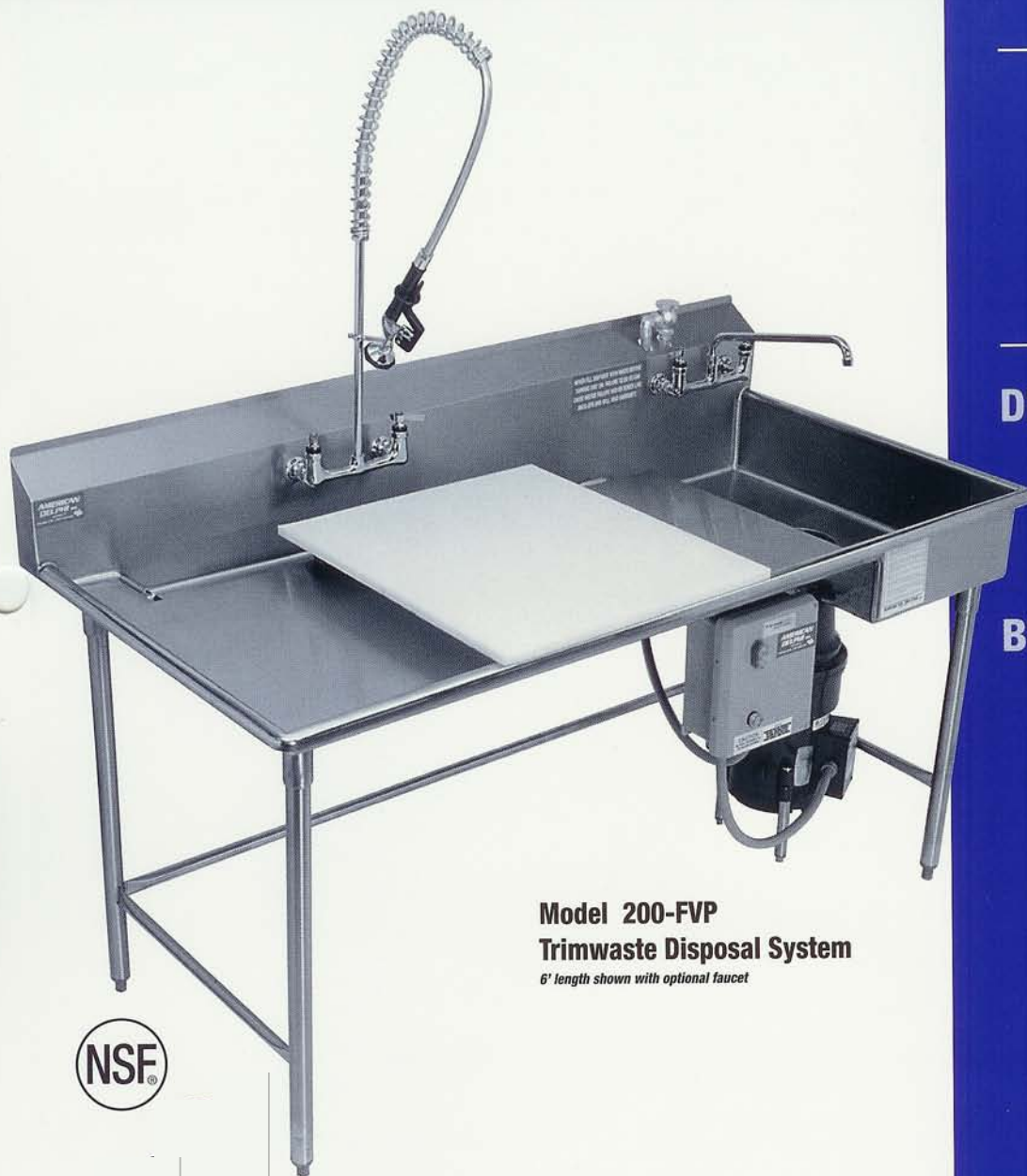


Trimwaste Disposal

Designed and engineered as a Total Waste Disposal System



**Model 200-FVP
Trimwaste Disposal System**

6' length shown with optional faucet

Our most economical Fish Prep table features the poly-top cutting surface and popular wash-down-to-disposer trough for fast and easy disposal of waste. Choose from a 4' through 12' table length with a 1.5HP through 10HP heavy-duty FabWright inc. disposer with 6-inch opening for your low to high-volume requirements. This unit comes completely pre-plumbed, pre-wired, pre-assembled and pre-tested for fast and easy installation.

**Fast, Clean,
Safe and
Efficient!**

DISPOSE OF...

- Artichoke, cabbage, lettuce leaves
- Cauliflower butts
- Fruit rinds and pits
- Fish bones, heads and skin
- All difficult waste products

BENEFITS

- Total package: One manufacturer, one order, one warranty
- Fast and easy installation. Completely factory plumbed, assembled, wired and tested
- The fastest, easiest and simplest system to service in the industry
- All waste odors eliminated for a clean, sanitary operation
- No smelly fish and produce waste standing in containers
- Trouble free operation – exclusive FabWright inc. disposer has only one moving part
- Fewer sewer problems – exclusive “after flush” action guarantees flow of waste through sewer line after system shut off
- Highest product safety standards
- On-time delivery, satisfaction guaranteed!
- Serving the industry since 1956

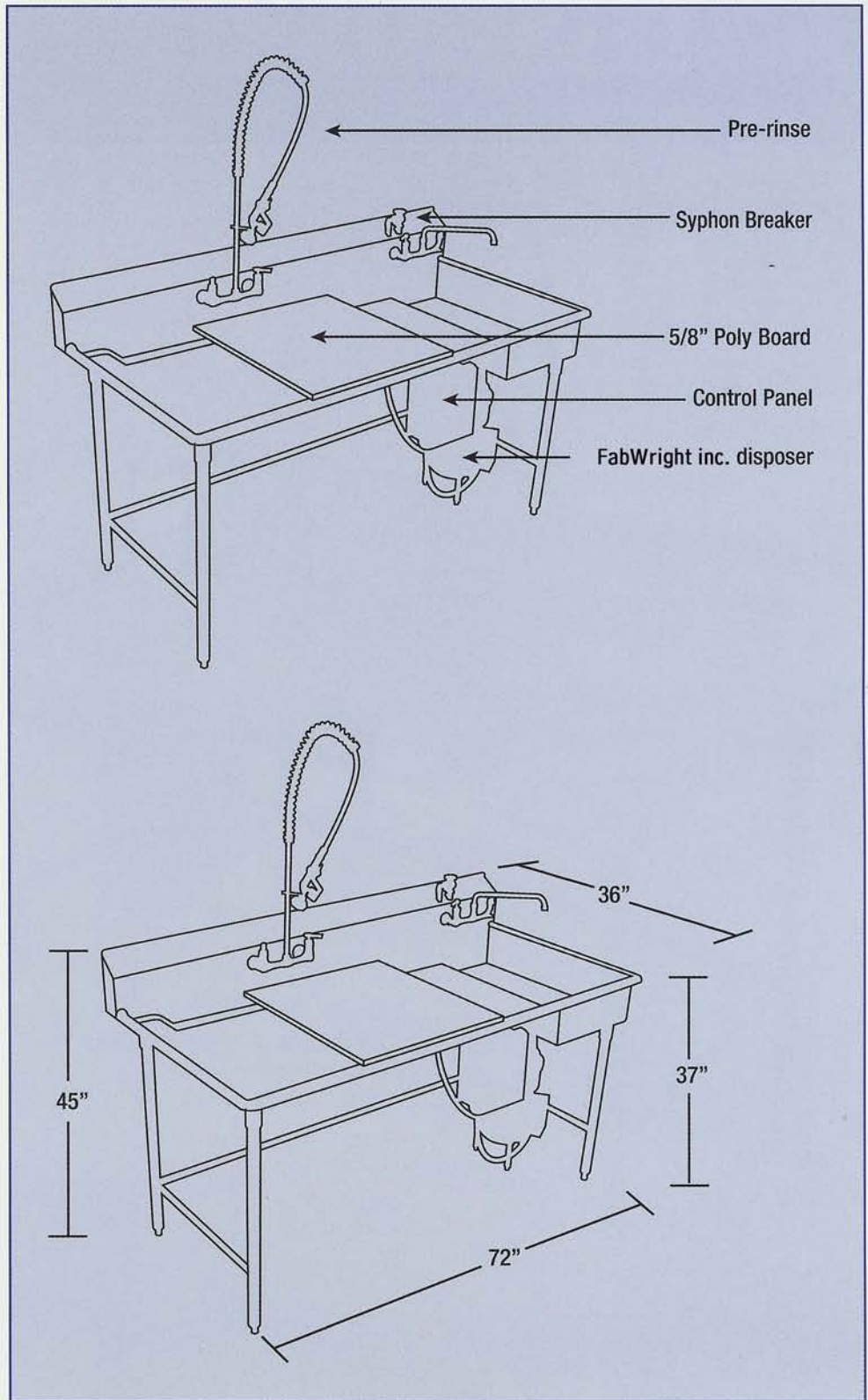
FabWright

13912 Enterprise Drive - Garden Grove, CA 92843
Ph: (714)554-5544 or (800)854-6464 Fx: (714)554-5545

200-FVP Trimwaste Disposal System

SYSTEM INCLUDES

- Model 2006 heavy-duty, 2 HP, 1725 RPM, 3-phase, 50/60Hz, 208/230/460 volts, 6.4/ 6.0/ 3.0 amps (recommended waterflow: 4 GPM) FabWright inc. disposer with second water "after flush" and pre-wired with energy saving motor
- Includes solenoid valve, syphon breaker and de-jamming wrench
- NEMA 4 approved, pre-wired control panel including magnetic starter, forward/off/reverse push buttons spring loaded with overload protection and operator de-jamming feature. Time delay relay for exclusive "after flush" action pre-set at 180 seconds
- "All weld" construction used on table with 16-gauge stainless steel, 304 #4 grade finish
- Stainless steel legs with adjustable bullet feet
- Stainless steel side and rear cross bracing
- Removable poly cutting board
- Pre-rinse with wall-mount bracket
- Pre-plumbed with 3/4" copper tubing for hot and cold water
- Splash gasket over disposer opening
- Waterflow inlet in wash-down trough (4' has no trough)



OPTIONAL EQUIPMENT

- Additional pre-rinse and/or faucet, pre-plumbed for cold or hot & cold water
- 10', 20', 30', 35', or 50' Retractable hose reels
- Magnetic knife holder
- Disposer safety cover
- Waterflow regulator - *save water costs!*
- Alternate FabWright inc. disposers:
 - Model 1506, 1.5 HP
 - Model 3006, 3 HP
 - Model 5006, 5 HP
 - Model 5126, 5 HP*
 - Model 7506, 7.5 HP*
 - Model 10006, 10 HP*
- Single or three-phase available on all FabWright inc. disposers

**Large-frame, heavy-duty disposer with 12-inch opening for extra high volume and/or large-size waste. Complete with off-set chute assembly.*

FabWright

13912 Enterprise Drive - Garden Grove, CA 92843

Ph: (714)554-5544 or (800)854-6464 Fx: (714)554-5545

Trimwaste Disposal

FabWright's Finest Trimwaste Disposal System

Model 300-3-60-20-RL
Trimwaste Disposal System



This three-compartment sink with disposer combination is ideal for bakery, salad and deli prep areas. It features three sink tubs for wash, rinse and sanitize along with a 13" cone for efficient disposal of waste into the heavy-duty FabWright disposer. The system is available with a 3/4HP through 10HP disposer in either 1 or 3-phase. The unit comes completely pre-plumbed, pre-wired, pre-assembled and pre-tested for fast and easy installation.

Fast, Clean, Safe and Efficient!

DISPOSE OF...

- Artichoke, cabbage, lettuce leaves
- Cauliflower butts
- Fruit rinds and pits
- All difficult waste products

BENEFITS

- Total package: One manufacturer, one order, one warranty
- Fast and easy installation. Completely factory plumbed, assembled, wired and tested
- The fastest, easiest and simplest system to service in the industry
- All waste odors eliminated for a clean, sanitary operation
- No smelly produce and deli waste standing in containers
- Trouble free operation – exclusive FabWright inc. disposer has only one moving part
- Fewer sewer problems – exclusive “after flush” action guarantees flow of waste through sewer line after system shut off
- Highest product safety standards
- On-time delivery, satisfaction guaranteed!
- Serving the industry since 1956

FabWright

13912 Enterprise Drive - Garden Grove, CA 92843
Ph: (714)554-5544 or (800)854-6464 Fx: (714)554-5545

300-3-60-20RL Trimwaste Disposal System

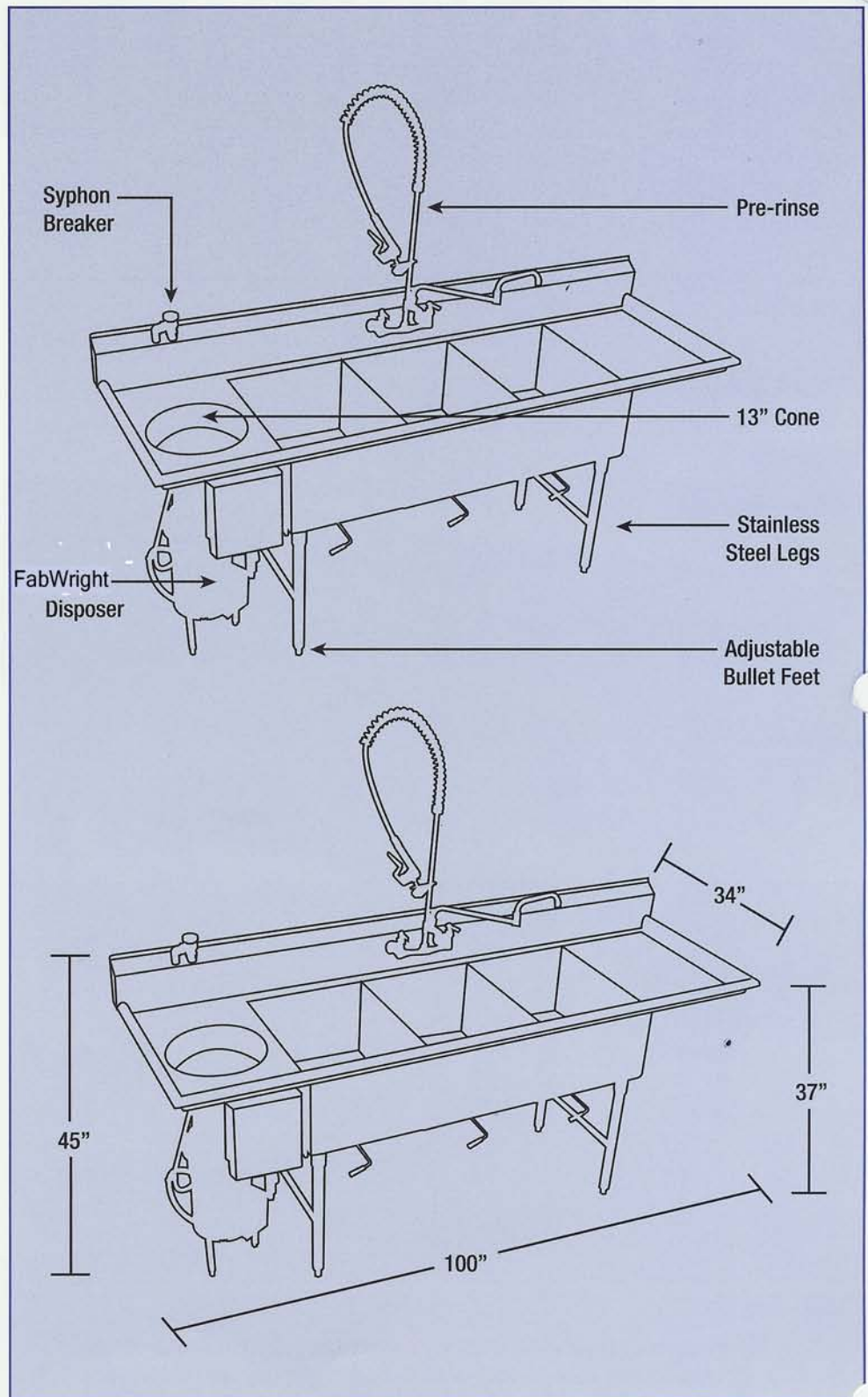
SYSTEM INCLUDES

- Model 3006 heavy-duty, 3HP, 1725 RPM, 3-phase, 50/60Hz, 208/230/460 volts, 9.0 / 8.6 / 4.3 amps (recommended waterflow: 5 GPM) FabWright inc. disposer with second water "after flush" and pre-wired with energy saving motor
- Includes solenoid valve, syphon breaker and de-jamming wrench
- NEMA 4 approved, pre-wired control panel including magnetic starter, forward/off/reverse push buttons and spring loaded with overload protection operator de-jamming feature. Time delay relay for exclusive "after flush" action pre-set at 180 seconds
- "All weld" construction used on table with 16-gauge stainless steel, 304 #4 grade finish
- Stainless steel legs with adjustable bullet feet
- Stainless steel side and rear cross bracing
- Pre-rinse with wall mount bracket and adapta faucet
- Pre-plumbed with 3/4" copper tubing for hot and cold water
- 3 Rotary twist handle drains
- 13" cone for disposer with 6" opening with safety splash guard and waterflow inlet

OPTIONAL EQUIPMENT

- Additional pre-rinse and/or faucet, pre-plumbed for cold or hot & cold water
- 10', 20', 30', 35', or 50' Retractable hose reels
- Magnetic knife holder
- Disposer safety cover
- Removable Poly cutting board & storage rack
- Waterflow regulator - *save water costs!*
- Alternate FabWright inc. disposers:
 - Model 1506, 1.5 HP
 - Model 2006, 2 HP
 - Model 5006, 5 HP
 - Model 5126, 5 HP*
 - Model 7506, 7.5 HP*
 - Model 10006, 10 HP*
- Single or three-phase available on all FabWright disposers

**Large-frame, heavy-duty disposer for extra high volume and/or large-size waste*



FabWright

13912 Enterprise Drive - Garden Grove, CA 92843

Ph: (714)554-5544 or (800)854-6464 Fx: (714)554-5545

Trimwaste Disposal

The work horse of
FabWright's
Total Waste
Disposal Systems



**Model 500-AX
Trimwaste Disposal System**

Shown with optional safety cover and flanged feet

This compact system is designed for easy installation along side existing sinks. The all-purpose, stand-alone, space-saving (33.5"L x 32.25"W) Trimwaste Station, with heavy-duty FabWright disposer, is ideal for all high volume produce/seafood trimming operations and centralized waste disposal areas. Your cost effective choice for expansion or remodeling. The unit comes completely pre-plumbed, pre-wired, pre-assembled and pre-tested for fast and easy installation.

Fast, Clean, Safe and Efficient!

DISPOSE OF...

- Artichoke, cabbage, lettuce leaves
- Cauliflower butts
- Fruit rinds and pits
- Fish bones, heads and skin
- All difficult waste products

BENEFITS

- Total package: One manufacturer, one order, one warranty
- Fast and easy installation. Completely factory plumbed, assembled, wired and tested
- The fastest, easiest and simplest system to service in the industry
- All waste odors eliminated for a clean, sanitary operation
- No smelly fish and produce waste standing in containers
- Trouble free operation – exclusive FabWright inc. disposer has only one moving part
- Fewer sewer problems – exclusive “after flush” action guarantees flow of waste through sewer line after system shut off
- Highest product safety standards
- On-time delivery, satisfaction guaranteed!
- Serving the industry since 1956

FabWright

13912 Enterprise Drive - Garden Grove, CA 92843
Ph: (714)554-5544 or (800)854-6464 Fx: (714)554-5545

500-AX Trimwaste Disposal System

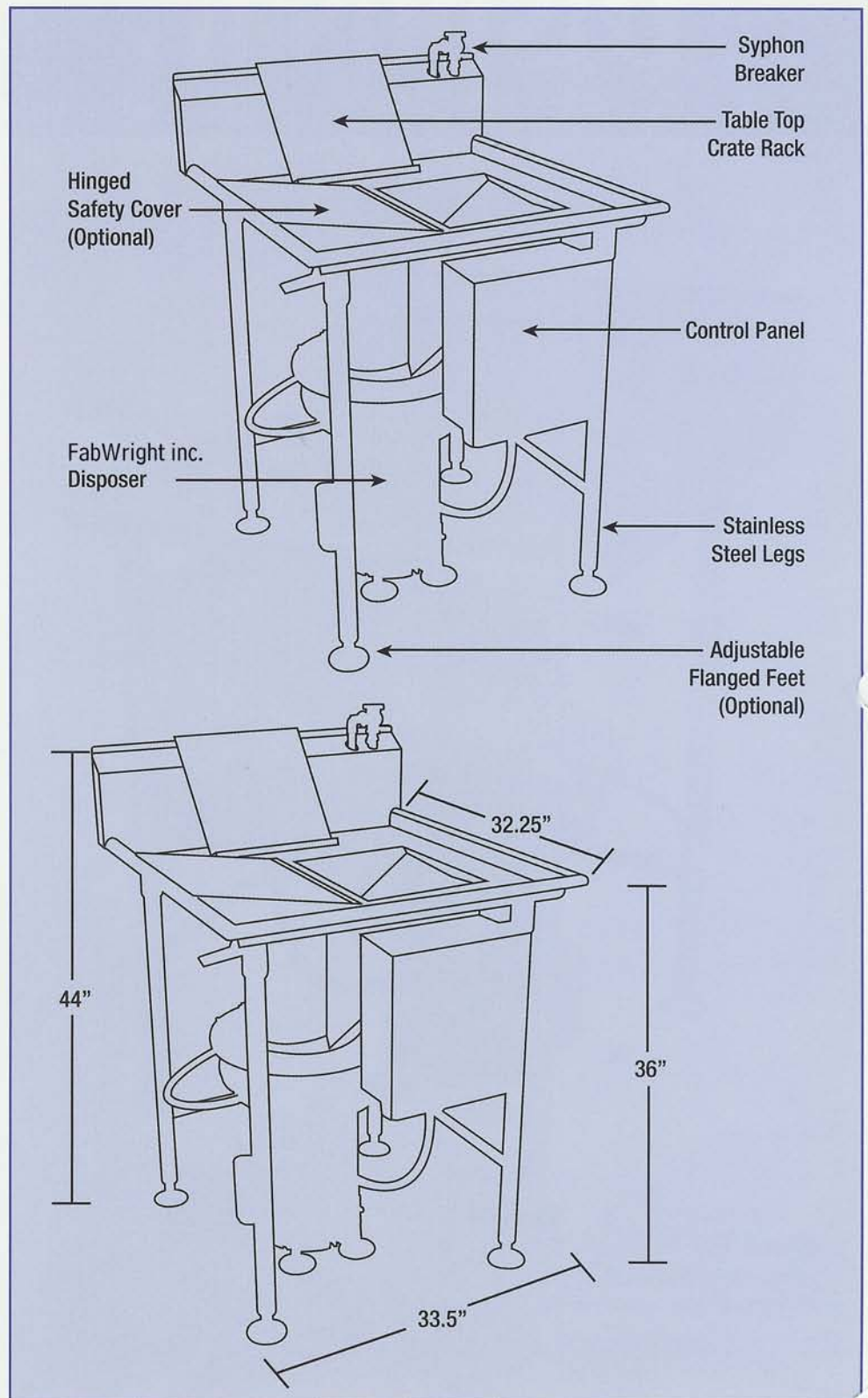
SYSTEM INCLUDES

- Model 51212 heavy-duty, 5HP, 1140 RPM, 3-phase, 50/60Hz, 208/230/460 volts, 18.0 / 16.0 / 8.0 amps (recommended waterflow: 7 GPM) FabWright inc. disposer with second water "after flush" and pre-wired with energy saving motor
- Includes solenoid valve, syphon breaker and de-jamming wrench
- NEMA 4 approved, pre-wired control panel including magnetic starter, forward/off/reverse push buttons spring loaded with overload protection and operator de-jamming feature. Time delay relay for exclusive "after flush" action pre-set at 180 seconds
- "All weld" construction used on table with 16-gauge stainless steel, 304 #4 grade finish
- Stainless steel legs with adjustable bullet feet
- Stainless steel side and rear cross bracing
- Pre-plumbed with 3/4" copper tubing for cold water
- Table-top crate rack
- Stainless steel offset safety chute with safety splash curtain and waterflow inlet

OPTIONAL EQUIPMENT

- Pre-rinse and/or faucet, pre-plumbed for cold or hot & cold water
- 10', 20', 30', 35', or 50' Retractable hose reels
- Magnetic knife holder
- Disposer safety cover (shown on front)
- Removable poly cutting board
- 13" cone for disposer with 6" opening (in lieu of offset chute) with safety splash guard and waterflow inlet
- Waterflow regulator - *save water costs!*
- Alternate FabWright inc. disposers:
 - Model 1506, 1.5 HP
 - Model 2006, 2 HP
 - Model 3006, 3 HP
 - Model 5006, 5 HP
 - Model 5126, 5 HP*
 - Model 7506 or 75012, 7.5 HP*
 - Model 10006 or 10012, 10 HP*
- Single or three-phase available on all FabWright inc. disposers

**Large-frame, heavy-duty disposer for extra high volume and/or large-size waste*



FabWright

13912 Enterprise Drive - Garden Grove, CA 92843

Ph: (714)554-5544 or (800)854-6464 Fx: (714)554-5545

Trimwaste Disposal

Designed and engineered as a Total Waste Disposal System

**Fast, Clean,
Safe and
Efficient!**

DISPOSE OF...

- Artichoke, cabbage, lettuce leaves
- Cauliflower butts
- Fruit rinds and pits
- Fish bones, heads and skin
- All difficult waste products

BENEFITS

- Total package: One manufacturer, one order, one warranty
- Fast and easy installation. Completely factory plumbed, assembled, wired and tested
- The fastest, easiest and simplest system to service in the industry
- All waste odors eliminated for a clean, sanitary operation
- No smelly fish and produce waste standing in containers
- Trouble free operation – exclusive FabWright inc. disposer has only one moving part
- Fewer sewer problems – exclusive “after flush” action guarantees flow of waste through sewer line after system shut off
- Highest product safety standards
- On-time delivery, satisfaction guaranteed!
- Serving the industry since 1956



**Model 500-B
Trimwaste Disposal System**

Shown with optional pre-rinse, hot/cold water faucet, and tub crate rack

This “space saver” provides all the waste disposal benefits of our larger units. Specially designed for areas of limited space, this unit is available in lengths of 5', 6', 7' or 8'. Crisps produce and disposes of waste in one easy step. The unit is available with a 1.5 HP through 10 HP FabWright inc. food waste disposer in single or three phase. The system is delivered to your door pre-plumbed, pre-wired, pre-assembled and pre-tested. The perfect solution for remodels.

FabWright

13912 Enterprise Drive - Garden Grove, CA 92843
Ph: (714)554-5544 or (800)854-6464 Fx: (714)554-5545

500-B Trimwaste Disposal System

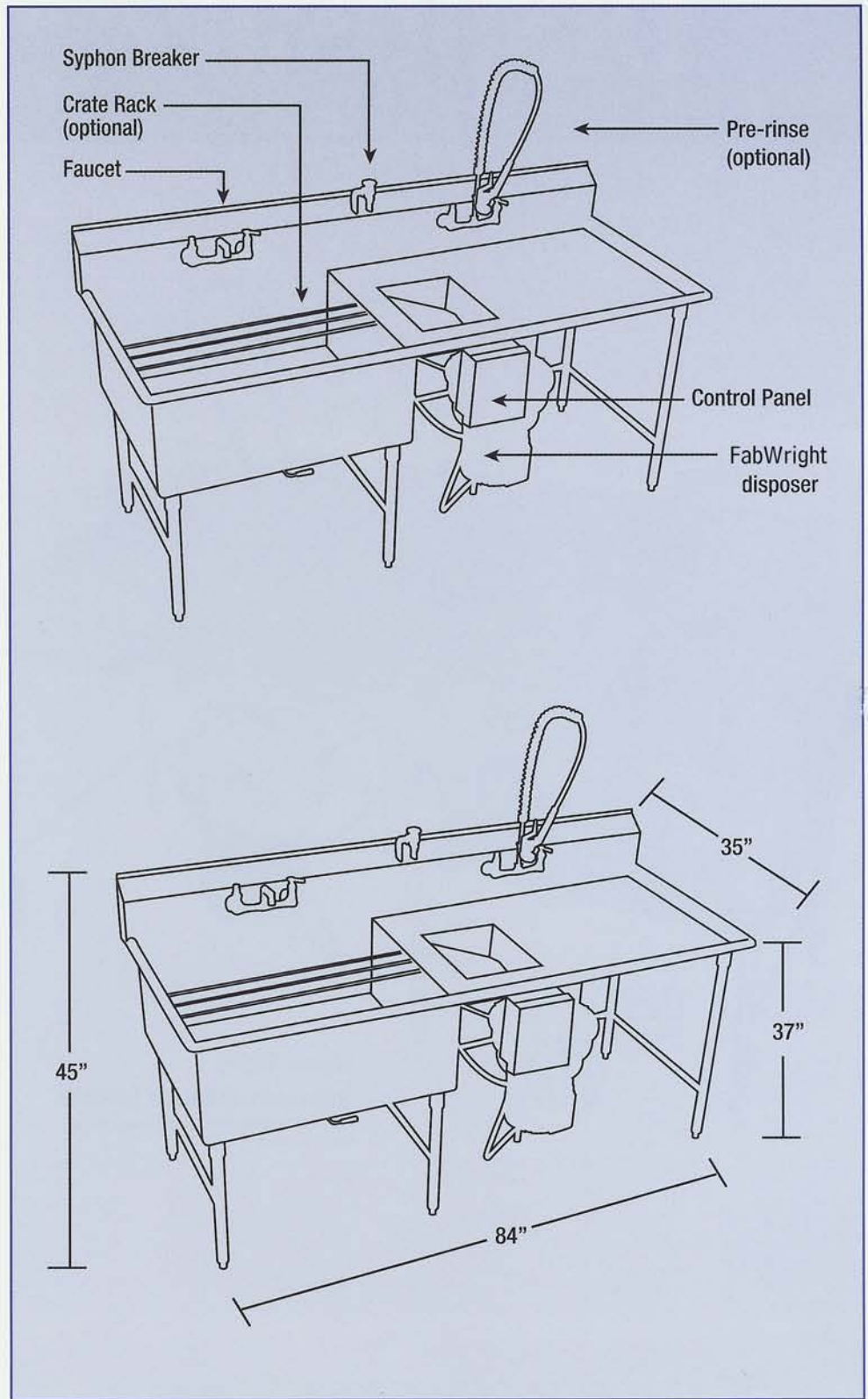
SYSTEM INCLUDES

- Model 51212 heavy-duty, 5HP, 1140 RPM, 3-phase, 50/60Hz, 208/230/460 volts, 17.0/16.0/8.0 amps (recommended waterflow: 7 GPM) FabWright inc. disposer with second water "after flush" and pre-wired with energy saving motor
- Includes solenoid valve, syphon breaker and de-jamming wrench
- NEMA 4 approved, pre-wired control panel including magnetic starter, forward/off/reverse push buttons spring loaded with overload protection and operator de-jamming feature. Time delay relay for exclusive "after flush" action pre-set at 180 seconds
- "All weld" construction used on table with 16-gauge stainless steel, 304 #4 grade finish
- Stainless steel legs with adjustable bullet feet
- Stainless steel side and rear cross bracing
- Faucet with 6" swing spout
- Pre-plumbed with 3/4" copper tubing for cold water
- Stainless steel offset safety chute with safety splash curtain and waterflow inlet
- One rotary twist handle drain (specify disposer right or left)

OPTIONAL EQUIPMENT

- Pre-rinse and/or additional faucet, pre-plumbed for cold or hot & cold water
- 10', 20', 30', 35', or 50' Retractable hose reels
- Magnetic knife holder
- Disposer safety cover
- Removable poly cutting board
- Poly cutting board storage rack
- Tub crate rack
- 13" cone for disposer with 6" opening, safety splash guard and waterflow inlet (in lieu of offset chute)
- Waterflow regulator - *save water costs!*
- Alternate FabWright inc. disposers:
 - Model 1506, 1.5 HP
 - Model 2006, 2 HP
 - Model 3006, 3 HP
 - Model 5126, 5 HP*
 - Model 7506, 7.5 HP*
 - Model 75012, 7.5 HP*
 - Model 10006, 10 HP*
 - Model 10012, 10 HP*
- Single or three-phase available on all FabWright inc. disposers

*Large-frame, heavy-duty disposer for extra high volume and/or large-size waste



FabWright

13912 Enterprise Drive - Garden Grove, CA 92843

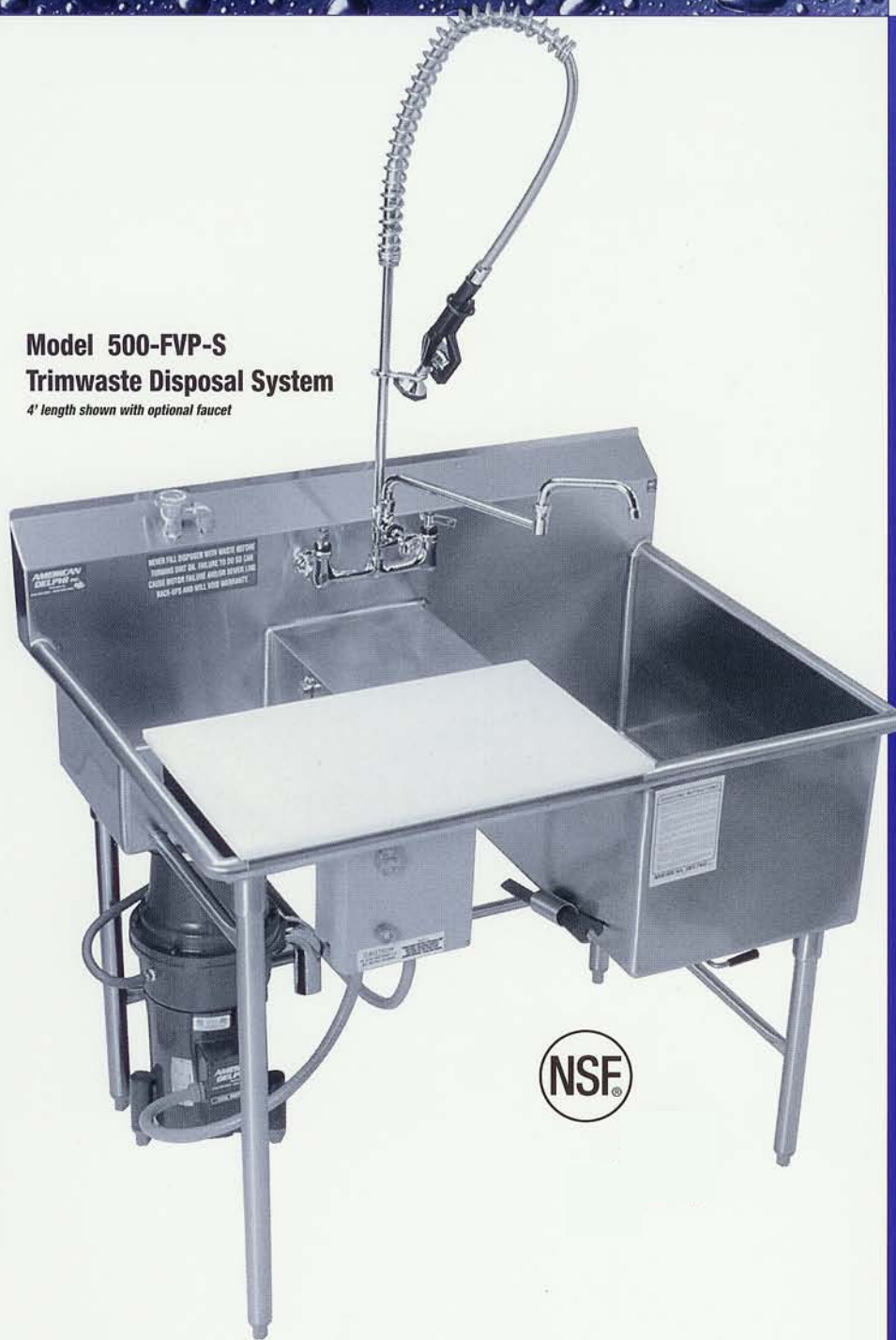
Ph: (714)554-5544 or (800)854-6464 Fx: (714)554-5545

Trimwaste Disposal

Designed and engineered as a Total Waste Disposal System

Model 500-FVP-S Trimwaste Disposal System

4' length shown with optional faucet



Fast, Clean, Safe and Efficient!

DISPOSE OF...

- Artichoke, cabbage, lettuce leaves
- Cauliflower butts
- Fruit rinds and pits
- Fish bones, heads and skin
- All difficult waste products

BENEFITS

- Total package: One manufacturer, one order, one warranty
- Fast and easy installation. Completely factory plumbed, assembled, wired and tested
- The fastest, easiest and simplest system to service in the industry
- All waste odors eliminated for a clean, sanitary operation
- No smelly fish and produce waste standing in containers
- Trouble free operation – exclusive American Delphi disposer has only one moving part
- Fewer sewer problems – exclusive “after flush” action guarantees flow of waste through sewer line after system shut off
- Highest product safety standards
- On-time delivery, satisfaction guaranteed!
- Serving the industry since 1956

This compact, dual-purpose Prep Table is versatile because of its integral, all-purpose sink and choice of 4' through 12' table length. It is compatible with your specific disposer requirements – 1.5HP through 10HP with 6" opening. The 500-FVP-S comes completely pre-plumbed, pre-wired, pre-assembled and pre-tested for fast and easy installation.

FabWright

13912 Enterprise Drive - Garden Grove, CA 92843
Ph: (714)554-5544 or (800)854-6464 Fx: (714)554-5545

500-FVP-S Trimwaste Disposal System

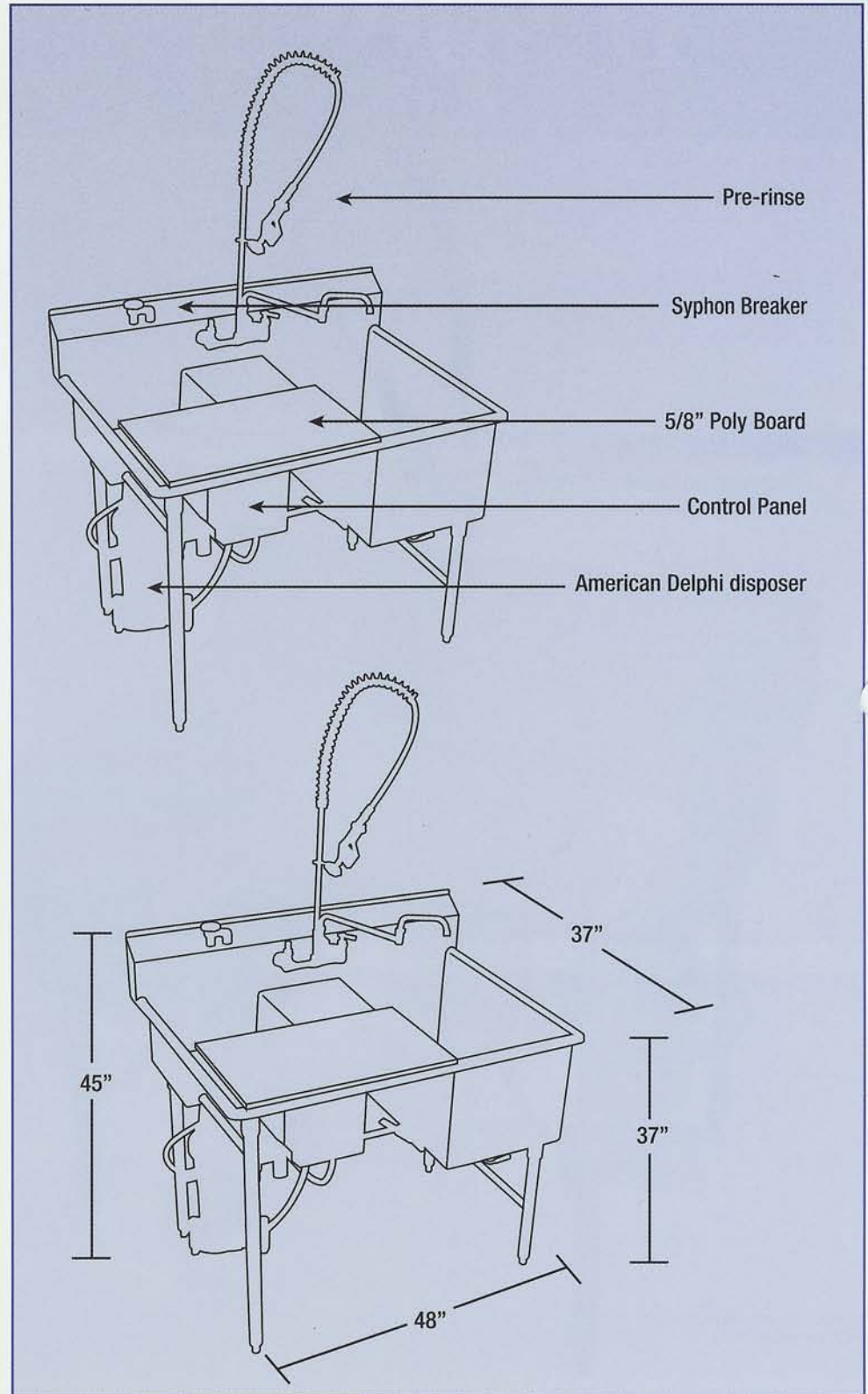
SYSTEM INCLUDES

- Model 5006 heavy-duty, 5 HP, 1725 RPM, 3-phase, 50/60Hz, 208/230/460 volts, 17.8 / 15.2 / 7.6 amps (recommended water flow: 7 GPM) American Delphi disposer with second water "after flush" and pre-wired with energy saving motor
- Includes solenoid valve, syphon breaker and de-jamming wrench
- NEMA 4 approved pre-wired control panel including magnetic starter, forward/off/reverse push buttons spring loaded with overload protection and operator de-jamming feature. Time delay relay for exclusive "after flush" action pre-set at 180 seconds
- "All weld" construction used on table with 16-gauge stainless steel, 304 #4 grade finish
- Stainless steel legs with adjustable bullet feet
- Stainless steel side and rear cross bracing
- Removable poly cutting board
- Pre-rinse with wall-mount bracket
- Pre-plumbed with 3/4" copper tubing for hot and cold water
- Rotary twist handle drain
- Splash gasket over disposer opening
- Waterflow inlet in wash-down trough (4' has no trough)

OPTIONAL EQUIPMENT

- Additional pre-rinse and/or faucet, pre-plumbed for cold or hot & cold water
- 10', 20', 30', 35', or 50' Retractable hose reels
- Magnetic knife holder
- Crate rack
- Disposer safety cover
- Waterflow regulator - *save water costs!*
- Alternate American Delphi disposers:
 - Model 1506, 1.5 HP
 - Model 2006, 2 HP
 - Model 3006, 3 HP
 - Model 5126, 5 HP*
 - Model 7506, 7.5 HP*
 - Model 10006, 10 HP*
- Single or three-phase available on all American Delphi disposers

**Large-frame, heavy-duty disposer with 12" opening for extra high volume and/or large-size waste. Complete with off-set chute assembly*



FabWright

13912 Enterprise Drive - Garden Grove, CA 92843

Ph: (714)554-5544 or (800)854-6464 Fx: (714)554-5545

Trimwaste Disposal

FabWright's Total Waste Disposal System

**Fast, Clean,
Safe and
Efficient!**



**Model 500-G-2D
Trimwaste Disposal System**

*Shown with optional hot / cold water pre-rinse
and faucet*

This 2-tub, 2-drainboard Produce Trimwaste System provides maximum workspace for your investment. The Total System is designed for efficient operations – trimming, soaking, crisping and disposing of waste in one easy motion. It is available with a 1.5 HP through 10 HP heavy-duty FabWright inc. disposer in either 1 or 3-phase. The unit comes completely pre-plumbed, pre-wired, pre-assembled and pre-tested for fast and easy installation.

DISPOSE OF...

- Artichoke, cabbage, lettuce leaves
- Cauliflower butts
- Fruit rinds and pits
- Fish bones, heads and skin
- All difficult waste products

BENEFITS

- Total package: One manufacturer, one order, one warranty
- Fast and easy installation. Completely factory plumbed, assembled, wired and tested
- The fastest, easiest and simplest system to service in the industry
- All waste odors eliminated for a clean, sanitary operation
- No smelly fish and produce waste standing in containers
- Trouble free operation – exclusive FabWright inc. disposer has only one moving part
- Fewer sewer problems – exclusive “after flush” action guarantees flow of waste through sewer line after system shut off
- Highest product safety standards
- On-time delivery, satisfaction guaranteed!
- Serving the industry since 1956

FabWright

13912 Enterprise Drive - Garden Grove, CA 92843
Ph: (714)554-5544 or (800)854-6464 Fx: (714)554-5545

500-G-2D Trimwaste Disposal System

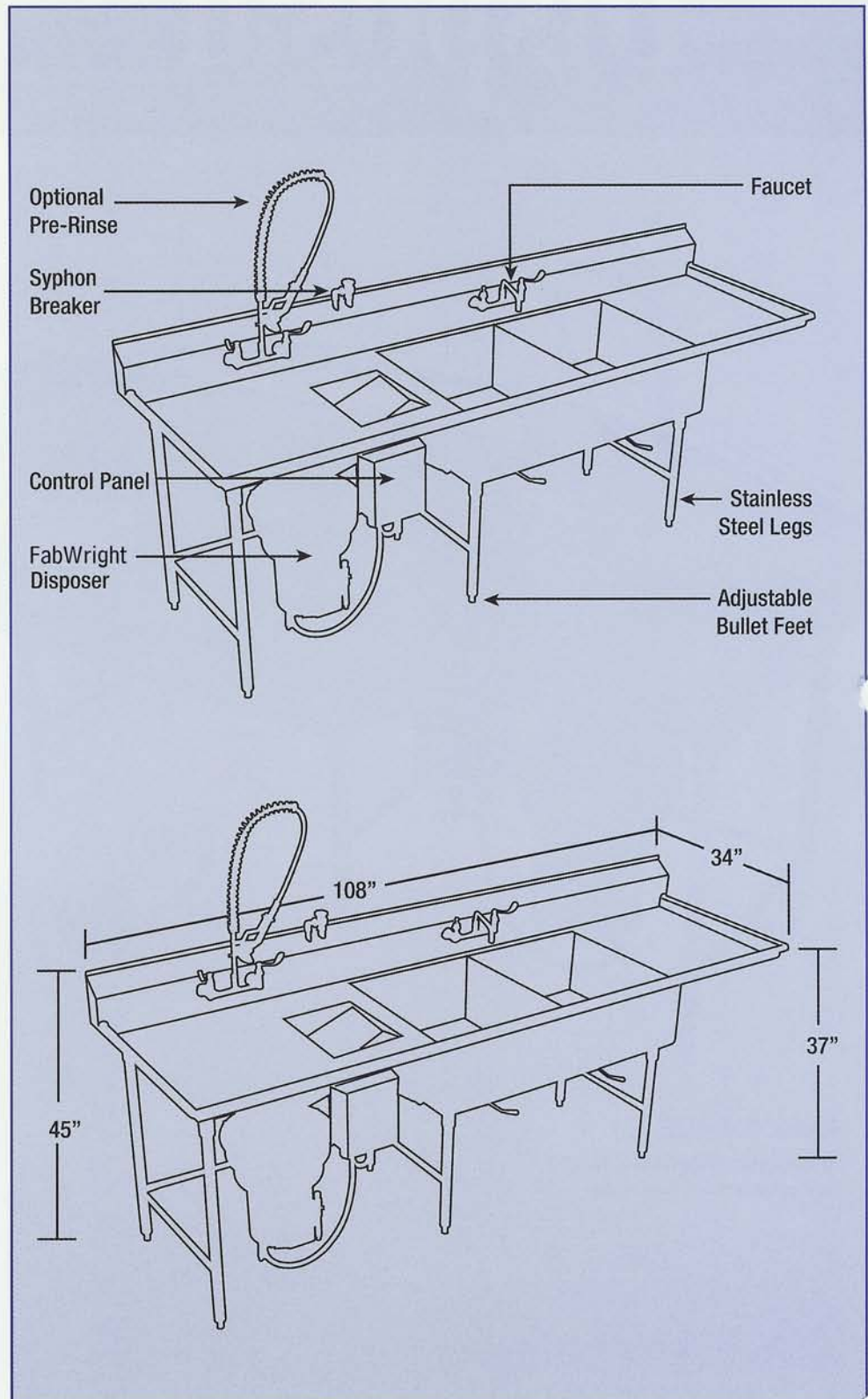
SYSTEM INCLUDES

- Model 51212 heavy-duty, 5HP, 1140 RPM, 3-phase, 50/60Hz, 208/230/460 volts, 17.0 / 16.0 / 8.0 amps (recommended waterflow: 7 GPM) FabWright inc. disposer with second water "after flush" and pre-wired with energy saving motor
- Includes solenoid valve, syphon breaker and de-jamming wrench
- NEMA 4 approved pre-wired control panel including magnetic starter, forward/off/reverse push buttons spring loaded with overload protection and operator de-jamming feature. Time delay relay for exclusive "after flush" action pre-set at 180 seconds
- "All weld" construction used on table with 16-gauge stainless steel, 304 #4 grade finish
- Stainless steel legs with adjustable bullet feet
- Stainless steel side and rear cross bracing
- Cold water faucet with 6" swing spout
- Pre-plumbed with 3/4" copper tubing for cold water
- Two rotary twist handle drains
- Stainless steel offset safety chute with safety splash curtain and waterflow inlet

OPTIONAL EQUIPMENT

- Pre-rinse and/or additional faucet, pre-plumbed for cold or hot & cold water
- 10', 20', 30', 35', or 50' Retractable hose reels
- Magnetic knife holder
- Crate rack
- Disposer safety cover
- Removable poly cutting board
- Poly cutting board storage rack
- 13" cone for disposer with 6" opening, safety splash guard and waterflow inlet (in lieu of offset chute)
- Waterflow regulator - *save water costs!*
- Alternate FabWright inc. disposers:
 - Model 1506, 1.5 HP
 - Model 2006, 2 HP
 - Model 3006, 3 HP
 - Model 5006, 5 HP
 - Model 5126, 5 HP*
 - Model 7506 or 75012, 7.5 HP*
 - Model 10006 or 10012, 10 HP*
- Single or three-phase available on all FabWright inc. disposers

**Large-frame, heavy-duty disposer for extra high volume and/or large-size waste*



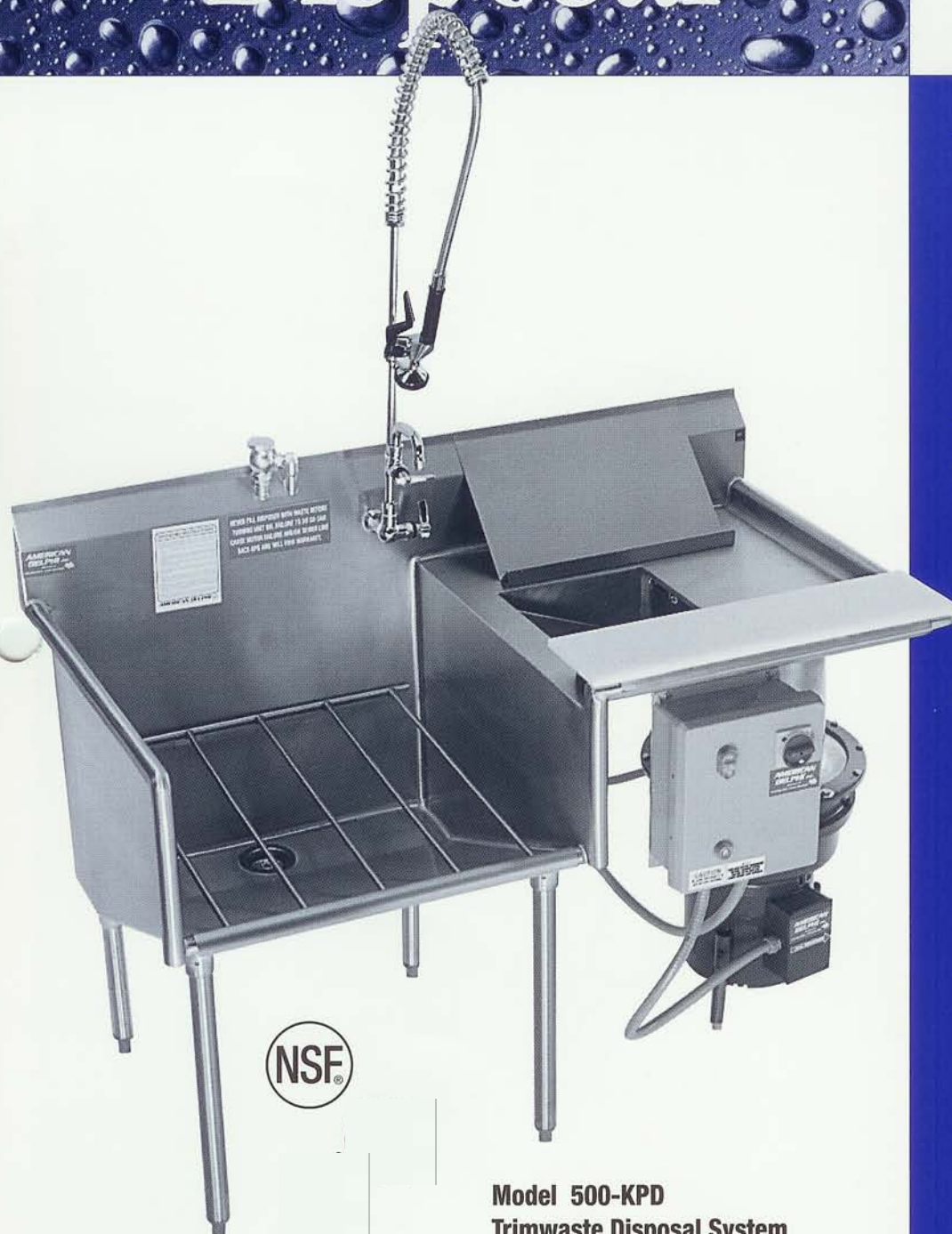
FabWright

13912 Enterprise Drive - Garden Grove, CA 92843

Ph: (714)554-5544 or (800)854-6464 Fx: (714)554-5545

Trimwaste Disposal

Designed and engineered as a Total Waste Disposal System



**Model 500-KPD
Trimwaste Disposal System**

Cut and trim product right from its shipping crate. This unit features a table top, poly cutting board, sink compartment with crate rack, and table top crate rack along with a heavy duty FabWright inc. food waste disposer. This space-saving, stand alone system can be installed individually or next to an existing sink to provide economical and efficient disposal of waste. The unit comes completely pre-plumbed, pre-wired, pre-assembled and pre-tested for fast and easy installation.

**Fast, Clean,
Safe and
Efficient!**

DISPOSE OF...

- Artichoke, cabbage, lettuce leaves
- Cauliflower butts
- Fruit rinds and pits
- Fish bones, heads and skin
- All difficult waste products

BENEFITS

- Total package: One manufacturer, one order, one warranty
- Fast and easy installation. Completely factory plumbed, assembled, wired and tested
- The fastest, easiest and simplest system to service in the industry
- All waste odors eliminated for a clean, sanitary operation
- No smelly fish and produce waste standing in containers
- Trouble free operation – exclusive FabWright inc. disposer has only one moving part
- Fewer sewer problems – exclusive “after flush” action guarantees flow of waste through sewer line after system shut off
- Highest product safety standards
- On-time delivery, satisfaction guaranteed!
- Serving the industry since 1956

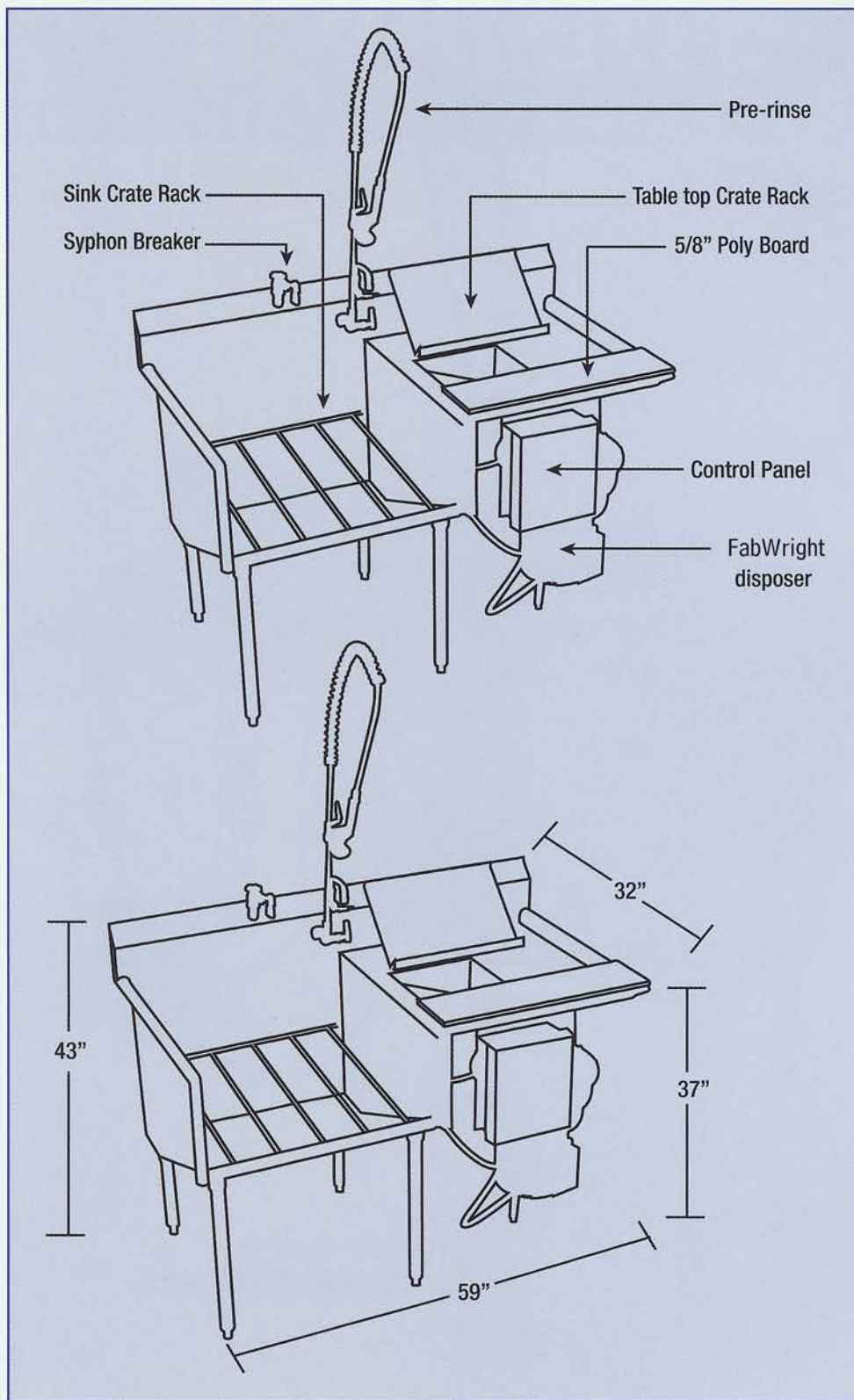
FabWright

13912 Enterprise Drive - Garden Grove, CA 92843
Ph: (714)554-5544 or (800)854-6464 Fx: (714)554-5545

500-KPD Trimwaste Disposal System

SYSTEM INCLUDES

- Model 51212 heavy-duty, 5HP, 1140 RPM, 3-phase, 50/60Hz, 208/230/460 volts, 17.0/16.0/8.0 amps (recommended waterflow: 7 GPM) FabWright inc. disposer with second water "after flush" and pre-wired with energy saving motor
- Includes solenoid valve, syphon breaker and de-jamming wrench
- NEMA 4 approved, pre-wired control panel including magnetic starter, forward/off/reverse push buttons spring loaded with overload protection and operator de-jamming feature. Time delay relay for exclusive "after flush" action pre-set at 180 seconds
- "All weld" construction used on table with 16-gauge stainless steel, 304 #4 grade finish
- Stainless steel legs with adjustable bullet feet
- Table top and sink crate racks
- Removable poly cutting board
- Pre-rinse with wall mount bracket and 6" adapta faucet
- Pre-plumbed with 3/4" copper tubing for cold water
- Basket drain
- Stainless steel offset safety chute with safety splash curtain and waterflow inlet



OPTIONAL EQUIPMENT

- Pre-plumbed for hot & cold water
- Alternate pre-rinses and/or faucets
- 10', 20', 30', 35', or 50' Retractable hose reels
- Magnetic knife holder
- Disposer safety cover
- 13" cone for disposer with 6" opening with safety splash guard and waterflow inlet (in lieu of offset chute)
- Waterflow regulator - *save water costs!*
- Alternate FabWright inc. disposers:
 - Model 1506, 1.5 HP
 - Model 2006, 2 HP
 - Model 3006, 3 HP
 - Model 5006, 5 HP
 - Model 5126, 5 HP*
 - Model 7506, 7.5 HP*
 - Model 75012, 7.5 HP*
 - Model 10006, 10 HP*
 - Model 10012, 10 HP*
- Single or three-phase available on all FabWright inc. disposers

**Large-frame, heavy-duty disposer for extra high volume and/or large-size waste*

FabWright

13912 Enterprise Drive - Garden Grove, CA 92843

Ph: (714)554-5544 or (800)854-6464 Fx: (714)554-5545

Trimwaste Disposal

FabWright's Total Waste Disposal System

**Fast, Clean,
Safe and
Efficient!**



**Model 500-PM-2D
Trimwaste Disposal System**

*Shown with optional hot / cold water pre-rinse
and faucet*

This Produce Trimwaste Disposal System is designed to meet health department three-tub requirements for washing, rinsing and sanitizing. This popular System requires just 10 feet of floor space and is perfect for high-volume operations such as combination produce / salad prep departments. It is available with a 1.5 HP through 10 HP heavy-duty **FabWright** disposer in either 1 or 3-phase. The unit comes completely pre-plumbed, pre-wired, pre-assembled and pre-tested for fast and easy installation.

DISPOSE OF...

- Artichoke, cabbage, lettuce leaves
- Cauliflower butts
- Fruit rinds and pits
- Fish bones, heads and skin
- All difficult waste products

BENEFITS

- Total package: One manufacturer, one order, one warranty
- Fast and easy installation. Completely factory plumbed, assembled, wired and tested
- The fastest, easiest and simplest system to service in the industry
- All waste odors eliminated for a clean, sanitary operation
- No smelly fish and produce waste standing in containers
- Trouble free operation – exclusive FabWright inc. disposer has only one moving part
- Fewer sewer problems – exclusive “after flush” action guarantees flow of waste through sewer line after system shut off
- Highest product safety standards
- On-time delivery, satisfaction guaranteed!
- Serving the industry since 1956

FabWright

13912 Enterprise Drive - Garden Grove, CA 92843
Ph: (714)554-5544 or (800)854-6464 Fx: (714)554-5545

500-PM-2D Trimwaste Disposal System

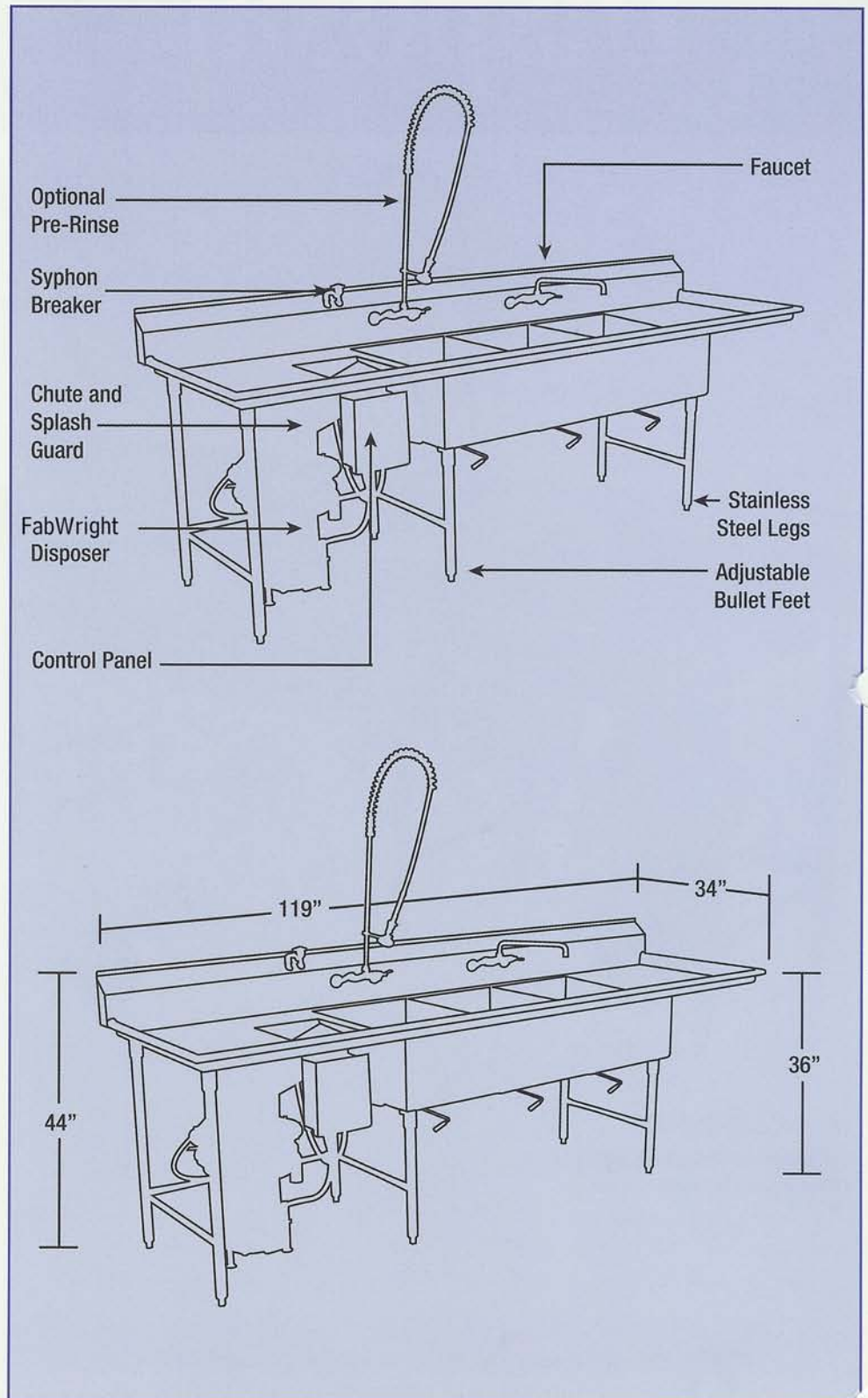
SYSTEM INCLUDES

- Model 51212 heavy-duty, 5HP, 1140 RPM, 3-phase, 50/60Hz, 208/230/460 volts, 18.0 / 16.0 / 8.0 amps (recommended waterflow: 7 GPM) FabWright inc. disposer with second water "after flush" and pre-wired with energy saving motor
- Includes solenoid valve, syphon breaker and de-jamming wrench
- NEMA 4 approved pre-wired control panel including magnetic starter, forward/off/reverse push buttons spring loaded with overload protection and operator de-jamming feature. Time delay relay for exclusive "after flush" action pre-set at 180 seconds
- "All weld" construction used on table with 16-gauge stainless steel, 304 #4 grade finish
- Stainless steel legs with adjustable bullet feet
- Stainless steel side and rear cross bracing
- 2 cold water faucets with 6" swing spouts
- Pre-plumbed with 3/4" copper tubing for cold water
- Three rotary twist handle drains
- Stainless steel offset safety chute with safety splash curtain and waterflow inlet

OPTIONAL EQUIPMENT

- Pre-rinse and/or additional faucet, pre-plumbed for cold or hot & cold water
- 10', 20', 30', 35', or 50' Retractable hose reels
- Magnetic knife holder
- Crate rack
- Disposer safety cover
- Removable poly cutting board
- Poly cutting board storage rack
- 13" cone for disposer with 6" opening (in lieu of offset chute), safety splash guard and waterflow inlet
- Waterflow regulator - *save water costs!*
- Alternate FabWright inc. disposers:
 - Model 1506, 1.5 HP
 - Model 2006, 2 HP
 - Model 3006, 3 HP
 - Model 5006, 5 HP
 - Model 5126, 5 HP*
 - Model 7506 or 75012, 7.5 HP*
 - Model 10006 or 10012, 10 HP*
- Single or three-phase available on all FabWright inc. disposers

**Large-frame, heavy-duty disposer for extra high volume and/or large-size waste*



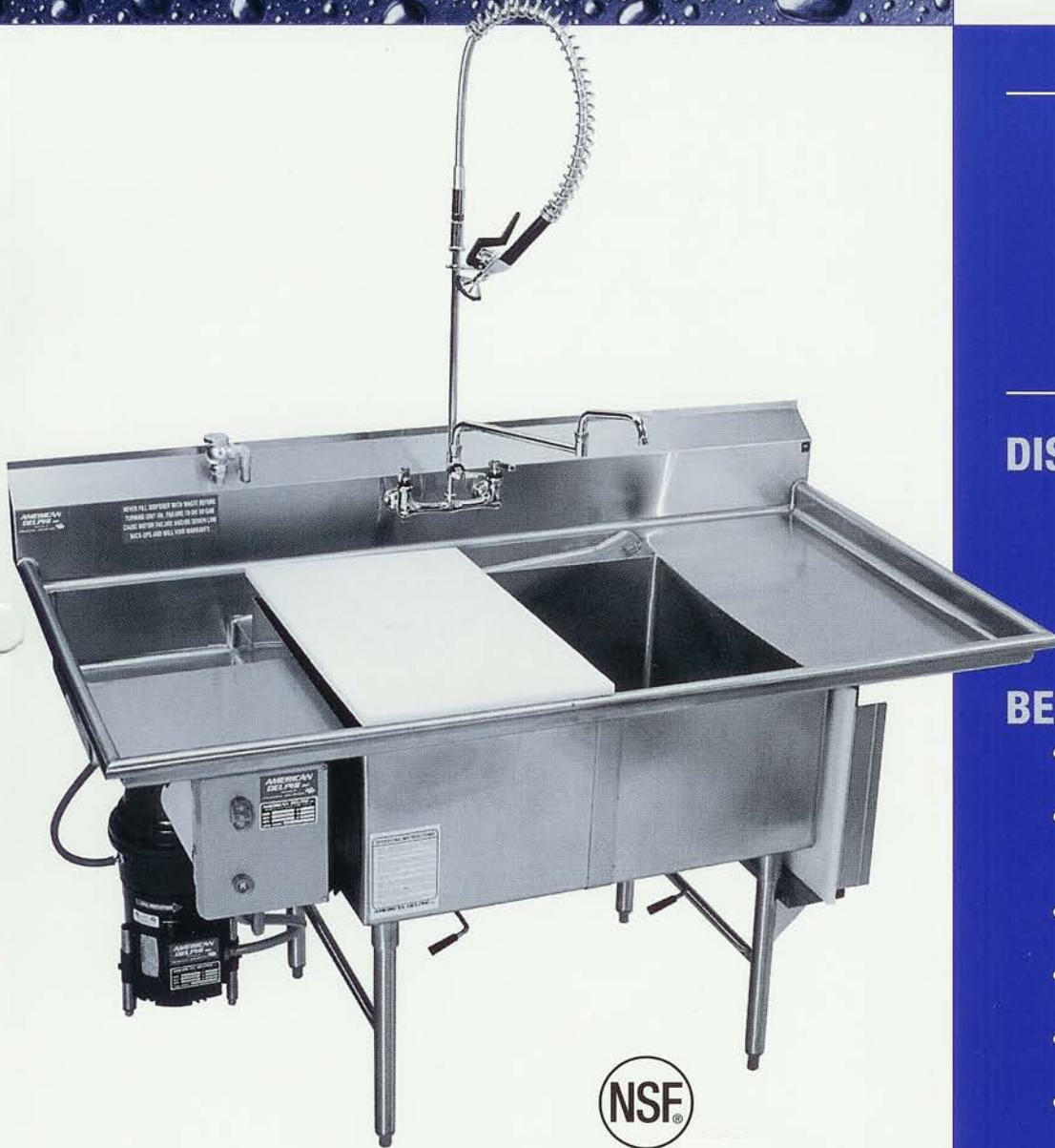
FabWright

13912 Enterprise Drive - Garden Grove, CA 92843

Ph: (714)554-5544 or (800)854-6464 Fx: (714)554-5545

Trimwaste Disposal

FabWright's Total Waste Disposal System



**Fast, Clean,
Safe and
Efficient!**

DISPOSE OF...

- Artichoke, cabbage, lettuce leaves
- Cauliflower butts
- Fruit rinds and pits
- Fish bones, heads and skin
- All difficult waste products

BENEFITS

- Total package: One manufacturer, one order, one warranty
- Fast and easy installation. Completely factory plumbed, assembled, wired and tested
- The fastest, easiest and simplest system to service in the industry
- All waste odors eliminated for a clean, sanitary operation
- No smelly fish and produce waste standing in containers
- Trouble free operation – exclusive FabWright inc. disposer has only one moving part
- Fewer sewer problems – exclusive “after flush” action guarantees flow of waste through sewer line after system shut off
- Highest product safety standards
- On-time delivery, satisfaction guaranteed!
- Serving the industry since 1956

Model 500-W Trimwaste Disposal System

Shown with optional Adapta Faucet

This multi-purpose system meets 2-tub sink and prep requirements and provides maximum productivity by one or two operators. The unit features poly cutting boards for fish or vegetable preparation and wash-down trough to disposer for quick and easy disposal of waste. The System is available with a 1.5 HP through 10 HP heavy duty FabWright inc. disposer in either 1 or 3-phase. The unit comes completely pre-plumbed, pre-wired, pre-assembled and pre-tested for fast and easy installation.

FabWright

13912 Enterprise Drive - Garden Grove, CA 92843
Ph: (714)554-5544 or (800)854-6464 Fx: (714)554-5545

500-W Trimwaste Disposal System

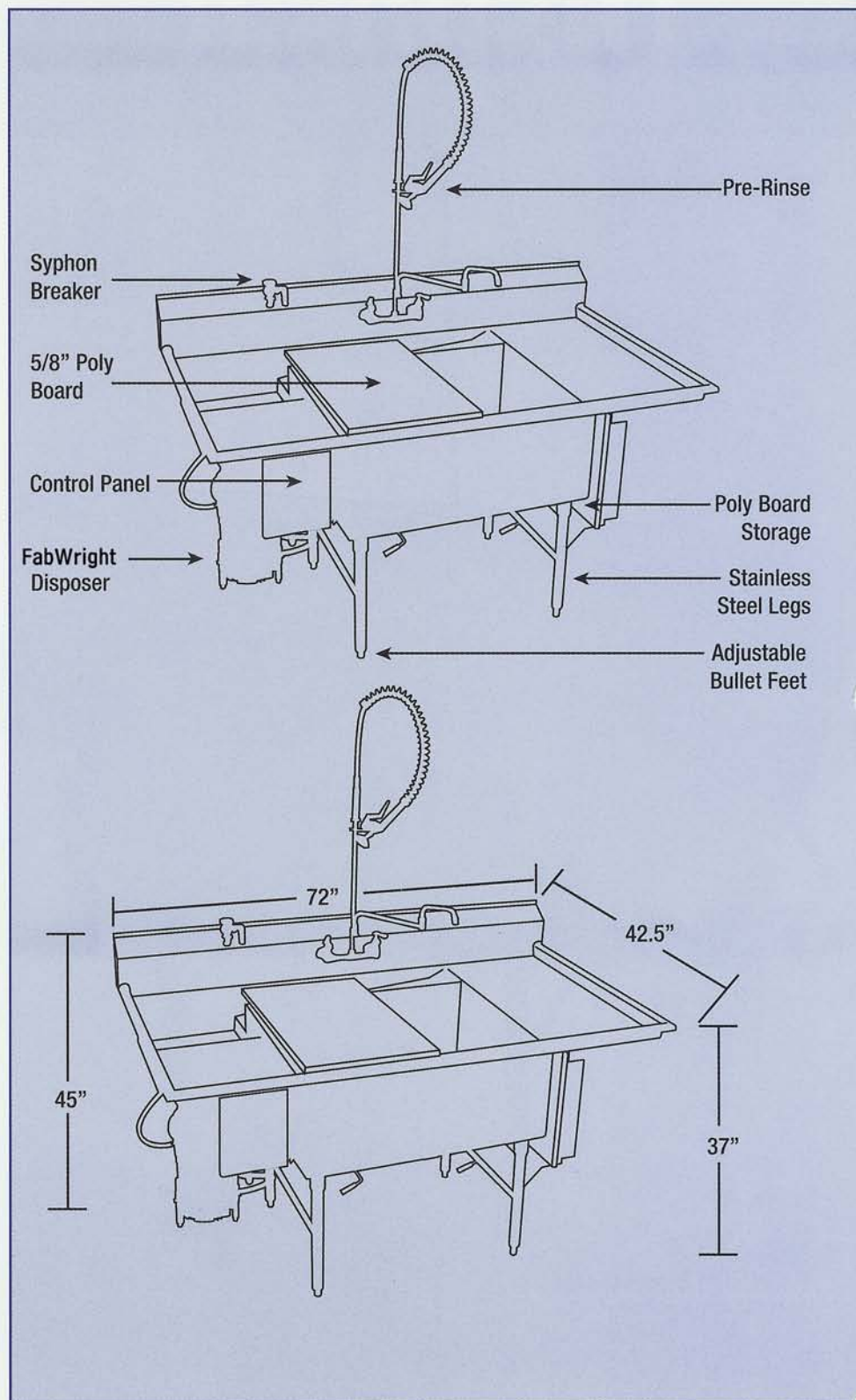
SYSTEM INCLUDES

- Model 5006 heavy-duty, 5HP, 1725 RPM, 3-phase, 50/60Hz, 208/230/460 volts, 17.8 / 15.2 / 7.6 amps (recommended waterflow: 7 GPM) **FabWright inc.** disposer with second water "after flush" and pre-wired with energy saving motor
- Includes solenoid valve, syphon breaker and de-jamming wrench
- NEMA 4 approved pre-wired control panel including magnetic starter, forward/off/reverse push buttons spring loaded with overload protection and operator de-jamming feature. Time delay relay for exclusive "after flush" action pre-set at 180 seconds
- "All weld" construction used on table with 16-gauge stainless steel, 304 #4 grade finish
- Stainless steel legs with adjustable bullet feet
- Stainless steel side and rear cross bracing
- Two removable poly cutting boards
- Poly cutting board storage rack
- Pre-rinse with wall mount bracket
- Pre-plumbed with 3/4" copper tubing for hot and cold water
- Two rotary twist handle drains
- Safety splash guard over disposer opening
- Waterflow inlet in wash-down trough

OPTIONAL EQUIPMENT

- Additional pre-rinse and/or faucet, pre-plumbed for cold or hot & cold water
- 10', 20', 30', 35', or 50' Retractable hose reels
- Magnetic knife holder
- Disposer safety cover
- Waterflow regulator - *save water costs!*
- Alternate **FabWright inc.** disposers:
 - Model 1506, 1.5 HP
 - Model 2006, 2 HP
 - Model 3006, 3 HP
 - Model 5126, 5 HP*
 - Model 7506, 7.5 HP*
 - Model 10006, 10 HP*
- Single or three-phase available on all **FabWright inc.** disposers

**Large-frame, heavy-duty disposer with 12-inch opening for extra high volume and/or large-size waste. Complete with off-set chute assembly*



FabWright

13912 Enterprise Drive - Garden Grove, CA 92843

Ph: (714)554-5544 or (800)854-6464 Fx: (714)554-5545

Trimwaste Disposal

FabWright's Most Popular Trimwaste Disposal System

Model K-100-8 Trimwaste Disposal System

Shows with optional Pre-rinse with add-on double-jointed swing spout. Standard unit includes two pre-rinses with wall-mount brackets and one 14" swing spout faucet.



The model K-100-8 is our most popular Trimwaste Disposal System with more than 3,000 units in operation. A variety of seafood and vegetables can be soaked, trimmed, rinsed and the waste disposed of simultaneously. This multipurpose, 3-compartment, 2-drainboard sink meets all of your preparation requirements. The state-of-the-art K-100-8 features three poly cutting boards for fish and vegetable preparation, poly board storage rack, heavy duty FabWright inc. disposer and a wash-down trough to the disposer for fast disposal of waste. The "System's" sleek appearance makes it an excellent choice for customer service areas in supermarkets and retail outlets. It comes completely pre-plumbed, pre-wired, pre-assembled and pre-tested for fast and easy installation.

Fast, Clean, Safe and Efficient!

DISPOSE OF...

- Artichoke, cabbage, lettuce leaves
- Cauliflower butts
- Fruit rinds and pits
- Fish bones, heads and skin

BENEFITS

- Total package: One manufacturer, one order, one warranty
- Fast and easy installation. Completely factory plumbed, assembled, wired and tested
- The fastest, easiest and simplest system to service in the industry
- All waste odors eliminated for a clean, sanitary operation
- No smelly fish and produce waste standing in containers
- Trouble free operation – exclusive FabWright inc. disposer has only one moving part
- Fewer sewer problems – exclusive "after flush" action guarantees flow of waste through sewer line after system shut off
- Highest product safety standards
- On-time delivery, satisfaction guaranteed!
- Serving the industry since 1956

FabWright

13912 Enterprise Drive - Garden Grove, CA 92843

Ph: (714)554-5544 or (800)854-6464 Fax: (714)554-5545

K-100-8 Trimwaste Disposal System

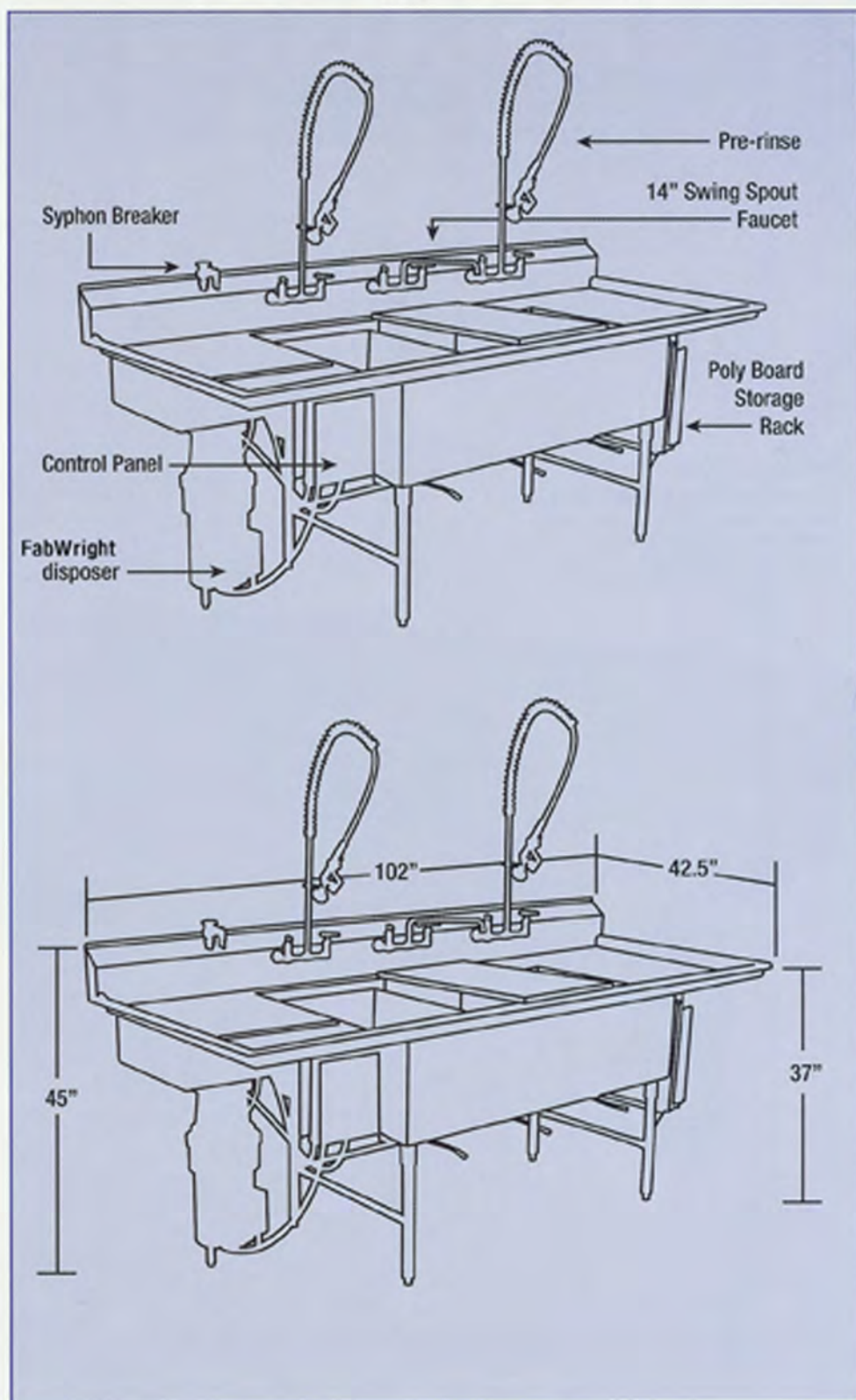
SYSTEM INCLUDES

- Model 5006 heavy-duty, 5HP, 1725 RPM, 3-phase, 50/60Hz, 208/230/460 volts, 17.8 / 15.2 / 7.6 amps (recommended water flow: 7 GPM) FabWright inc. disposer with second water "after flush" and pre-wired with energy saving motor
- Includes solenoid valve, syphon breaker and de-jamming wrench
- NEMA 4 approved, pre-wired control panel including magnetic starter, forward/off/reverse push buttons spring loaded with overload protection and operator de-jamming feature. Time delay relay for exclusive "after flush" action pre-set at 180 seconds
- "All weld" construction used on table with 16-gauge stainless steel, 304 #4 grade finish
- Stainless steel legs with adjustable bullet feet
- Stainless steel side and rear cross bracing
- Three removable poly cutting boards
- Poly cutting board storage rack
- Two pre-rinses with wall-mount bracket
- Faucet with 14" swing spout
- Pre-plumbed with 3/4" copper tubing for hot & cold water
- Three rotary twist handle drains
- Splash gasket over disposer opening
- Waterflow inlet in wash-down trough

OPTIONAL EQUIPMENT

- 10', 20', 30', 35', or 50' Retractable hose reels
- Magnetic knife holder
- Disposer safety cover
- Waterflow regulator - *save water costs!*
- Alternate FabWright inc. disposers:
 - Model 1506, 1.5 HP
 - Model 2006, 2 HP
 - Model 3006, 3 HP
 - Model 5126, 5 HP*
 - Model 7506, 7.5 HP*
 - Model 10006, 10 HP*
- Single or three-phase available on all FabWright inc. disposers

*Large-frame, heavy-duty disposer with 12-inch opening for extra high volume and/or large-size waste. Complete with off-set chute assembly



FabWright

13912 Enterprise Drive - Garden Grove, CA 92843

Ph: (714)554-5544 or (800)854-6464 Fx: (714)554-5545