

# Stainless Steel Drop-In Sinks

For a high-quality, economical stainless steel drop-in sink...



**One-Compartment**



**Two-Compartment**



**Three-Compartment**

**T**hese multi-purpose, drop-in sinks are designed to meet the specific application of your small to large cabinet area. They are made with a 4" rear ledge and a 2" rim on three sides and are also available in alternate sizes as well as the three standard units shown. Drainboards and additional compartments available as specified.

## The Choice Is As Easy As One, Two, Three

### APPLICATIONS

- Food preparation areas, restaurants, cafeterias, produce, meat and seafood processing plants
- Supermarket produce, meat, seafood, deli, bakery, break room, floral, photography and pharmacy departments
- Hospitals, clinics, laboratories

### SPECIFICATIONS

- Heavy-duty 16 and 18-gauge stainless steel, type 304 #4 grade finish
- Full one-year, limited warranty on all parts and labor
- Sink bowls have die-formed impressions for rapid and complete drainage
- Standard bowl size – 22" long by 20" wide by 6" deep on single compartment. 16" long by 18" wide with two or more compartments. Custom specifications and design available upon request

### OPTIONS

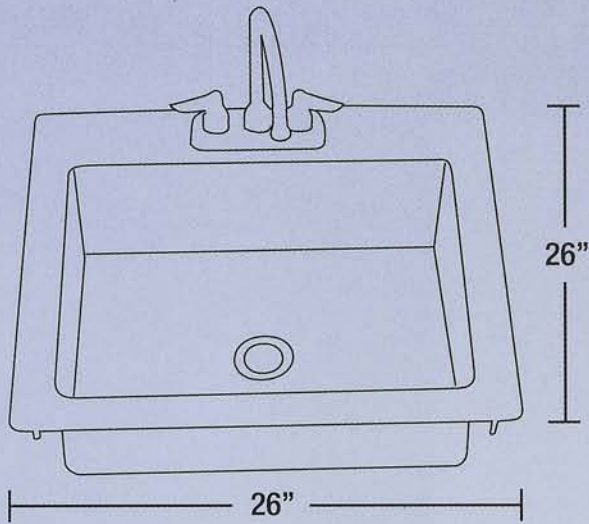
- Rigid or swivel goose-neck faucet with aerator
- Wrist blade handles
- Swing spout faucets
- 4" or 8" centersets
- 1.5" or 3.5" Basket drain with strainer

**FabWright**

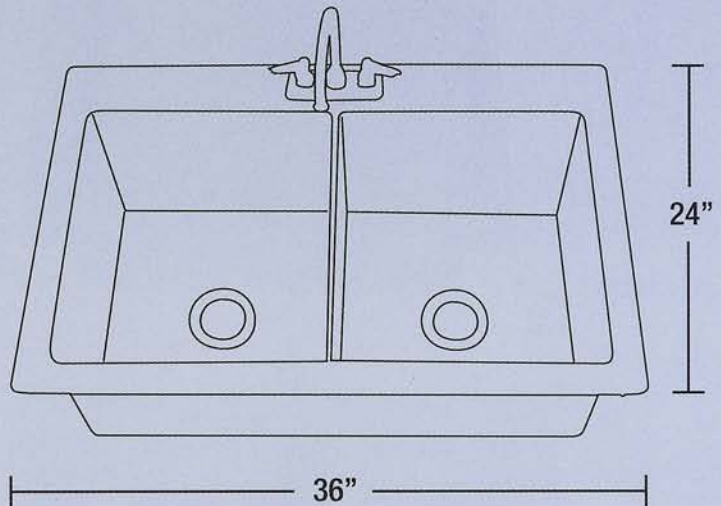
13912 Enterprise Drive - Garden Grove, CA 92843  
Ph: (714)554-5544 or (800)854-6464 Fx: (714)554-5545



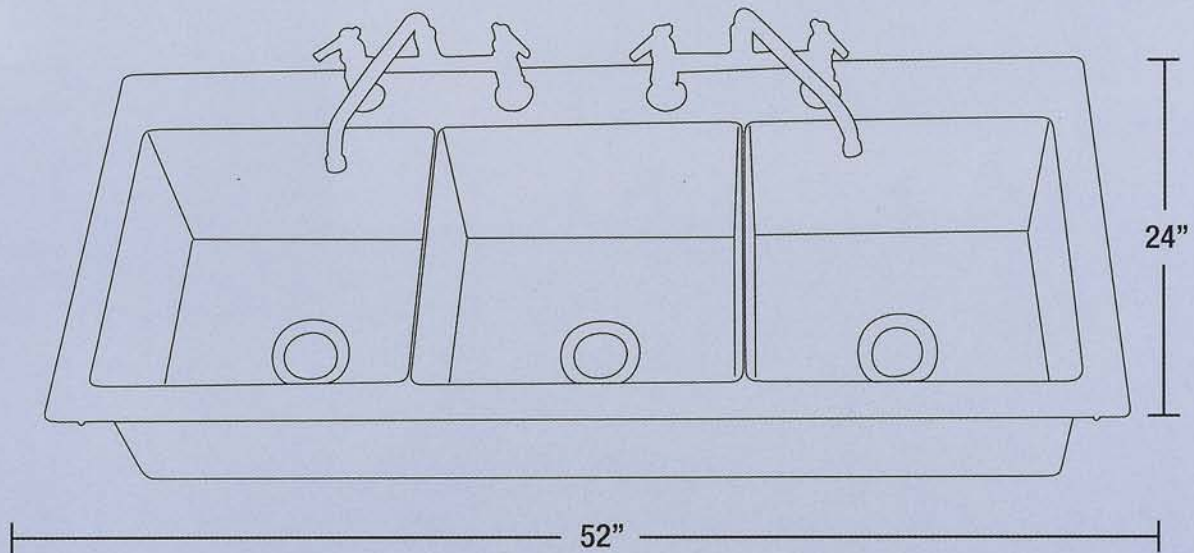
# Stainless Steel Drop-In Sinks



**One-Compartment**



**Two-Compartment**



**Three-Compartment**

*Custom sizes available upon request*

***FabWright***

13912 Enterprise Drive - Garden Grove, CA 92843

Ph: (714)554-5544 or (800)854-6464 Fx: (714)554-5545